

Upto 6,000 Lumens, Dark Sky Friendly, Ballast Compatible Option

Date Project Part #



MOGUL BASE
EX39, E40



MEDIUM BASE
E26, E27



Features

- Up to 6,000 Lumens, 133 L/W
- Certified for Magnetic HID Ballast & 100-277 VAC
- Integrated Patented Optic provides:
 - Low uplight & glare: B2-U3-G2
 - 3x cd/lumen higher efficiency over cor lamps
 - House side shield option: B1-U3-G1
- 80 CRI Standard, High CRI optional
- Wireless control options
- Temperature protection with full output:
 - $T_{Ambient} = 65^{\circ}C/150F$ for 30W
 - $= 45^{\circ}C/115F$ for 45W
- Socket extender option sold separately
- Enclosed fixture rated
- Five Year or 50,000 Hour warranty²
- See Website for Installation Guide and IES File

World Wide Certifications

- UL/ULC, DLC, CE/CB, PSE
- See regional section for applicable certification
- IP52 / UL damp listed standard



IP52 IP65 RoHS

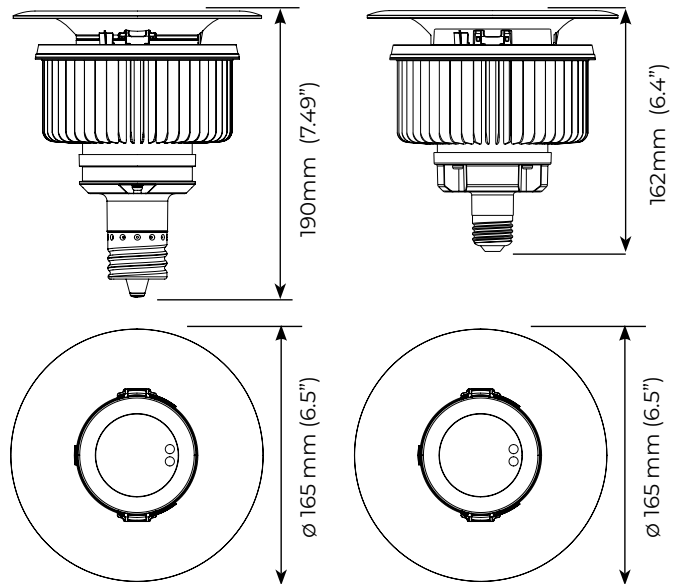


Control Options

- Wireless Options:
 - Synpase, Casambi, Avi-On
- Non Wireless Options:
 - Occupancy & Daylight, Manual Power Set
- Dims to 10% then to off
- Controls not compatible with ballast operation

Mechanical

- Mogul or Medium Base
- Base Down Orientation
- 0.73kg / 1.62 lbs
- Socket extender available separately



1. Unless otherwise specified, all values are typical at 25°C, 240VAC, CCT +/-300K
 2. [See limited warranty for details](#)
 3. Specifications subject to change without notice

4. Not intended for use in environments containing airborne corrosive agents such as chemicals, solvents, or cutting fluids
 5. 80 CRI has 96 LEDs, high CRI has 144 LEDs

Photometry

- Integrated Patented Optic provides:
 - B2-U3-G2
 - 3x cd/lumen higher efficiency over cor lamps
- House side shield option resulting in B1-U3-G1. Sold seperately

CRI	Power	Lumens @ CCT					
		2200K	2700K	3000K	3500K	4000K	5000K
80	30W	3247	3620	3832	4001	4142	4142
	45W	4696	5236	5543	5788	5992	5992
90	30W	2674	2982	3156	3296	3412	3412
	45W	3869	4313	4566	4768	4936	4936

Electrical (VH & VL Drivers)

- VL: 100-277 VAC, 50-60Hz
- VH: Hybrid: Ballast Compatible & 100-277 VAC
- <1% Flicker
- PF > 0.9, THD<20%
- Surge: 6 kV (L-N)

	Amps @ Line Voltage (VAC)					
	100V	110V	120V	220V	240V	277V
30W	0.30A	0.27A	0.25A	0.14A	0.13A	0.11A
45W	0.45A	0.41A	0.38A	0.20A	0.19A	0.16A

HID Ballast Compatibility (VH Driver)

The Hybrid series is compatible with HID magnetic ballast between 45-250W. Such ballast types include probe start, pulse start, CWA, or reactive. The table below shows compatible ballast that have been tested. Input to ballast may be up to 480V. Optical distribution and lumen output are constant regardless of Ballast type or wattage. Ballast operation is not compatible with controls.

Type	HID Ballast Compatibility					
	45-70W	100W	150W	175W	200W	250W
Metal Halide	M98 M110 M143	M90	-	M57 M137 M152 MH175	-	M138 M153 MH250
HPS	NG50 NG70	NG100	NG150	-	S66	S50 NG250
MV	-	-	-	H175	-	-

UL USA and Canada: 100-277VAC and HID Ballast Compatible

Date	Project	Part #
------	---------	--------

Applicable Regions

- USA, Canada



RoHS



IP52 IP65

Summary

- Hybrid: Ballast Compatible & Line Voltage 100-277VAC
- Certified to UL and ULC standard
- IP52 and UL Listed for damp locations
- IP65 and UL Listed for wet locations - special order
- Selected models also UL listed for enclosed fixtures
- Control modules and optical accessories are shipped separately and installed to the base lamp model by the user
 - Can be installed at the factory - Inquire for availability
- Non-quick ship items may be subject to longer lead times and MOQ
- Additional CCT / CRI / Power combinations may be available as a custom order - Inquire for availability

Part # Key

- Not all combinations are valid or readily available - See ordering table for standard models
- Call for availability of custom features - MOQ may apply

Series	Lamp Base		Power		CRI		CCT		Driver		Finish		Optics		Control Module (Field Install)		Optical Accessory (Field Install)		Other	
	E26	E26	030	30W	8	80 CRI	22	2200K	VH	Hybrid	AN	Anodized	B90	90°	000	None (Base Model)	PT1	Post Top	IP	IP52
VA6	E39	EX39	045	45W	9	90 CRI	27	2700K						Beam	OC1	Occupancy & Daylight				IP65
							30	3000K							BLE	Bluetooth (Avi-On)				
							35	3500K							CSM	Casambi				
							40	4000K							SYN	Synapse				
							50	5000K							PRI	Manual Set Dim				

Ordering Table

- Additional combinations may be available - Inquire for availability

Base	Power	CRI	CCT	Lumen	L/W	Part Number
E26	30W	80	2700K	3620	121	VA6-E26-030-8-27-VH-AN-B90-000-PT1
E26	30W	80	3000K	3832	128	VA6-E26-030-8-30-VH-AN-B90-000-PT1
E26	30W	80	3500K	4001	133	VA6-E26-030-8-35-VH-AN-B90-000-PT1
E26	30W	80	4000K	4142	138	VA6-E26-030-8-40-VH-AN-B90-000-PT1
E39	30W	80	5000K	4142	138	VA6-E26-030-8-50-VH-AN-B90-000-PT1
E39	30W	90	2700K	2982	99	VA6-E26-030-9-27-VH-AN-B90-000-PT1
E39	30W	90	3000K	3156	105	VA6-E26-030-9-30-VH-AN-B90-000-PT1
E39	30W	90	3500K	3296	110	VA6-E26-030-9-35-VH-AN-B90-000-PT1
E26	30W	90	4000K	3412	114	VA6-E26-030-9-40-VH-AN-B90-000-PT1
E26	30W	90	5000K	3412	114	VA6-E26-030-9-50-VH-AN-B90-000-PT1
E26	45W	80	2700K	5236	116	VA6-E26-045-8-27-VH-AN-B90-000-PT1
E26	45W	80	3000K	5543	123	VA6-E26-045-8-30-VH-AN-B90-000-PT1
E39	45W	80	3500K	5788	129	VA6-E26-045-8-35-VH-AN-B90-000-PT1
E39	45W	80	4000K	5992	133	VA6-E26-045-8-40-VH-AN-B90-000-PT1
E39	45W	80	5000K	5992	133	VA6-E26-045-8-50-VH-AN-B90-000-PT1

UL USA and Canada: 100-277VAC and HID Ballast Compatible

Date	Project	Part #
------	---------	--------

Ordering Table

· Additional combinations may be available - Inquire for availability

Base	Power	CRI	CCT	Lumen	L/W	Part Number
E39	45W	90	2700K	4313	96	VA6-E26-045-9-27-VH-AN-B90-000-PT1
E26	45W	90	3000K	4566	101	VA6-E26-045-9-30-VH-AN-B90-000-PT1
E26	45W	90	3500K	4768	106	VA6-E26-045-9-35-VH-AN-B90-000-PT1
E26	45W	90	4000K	4936	110	VA6-E26-045-9-40-VH-AN-B90-000-PT1
E26	45W	90	5000K	4936	110	VA6-E26-045-9-50-VH-AN-B90-000-PT1
E39	30W	80	2700K	3620	121	VA6-E39-030-8-27-VH-AN-B90-000-PT1
E39	30W	80	3000K	3832	128	VA6-E39-030-8-30-VH-AN-B90-000-PT1
E39	30W	80	3500K	4001	133	VA6-E39-030-8-35-VH-AN-B90-000-PT1
E39	30W	80	4000K	4142	138	VA6-E39-030-8-40-VH-AN-B90-000-PT1
E26	30W	80	5000K	4142	138	VA6-E39-030-8-50-VH-AN-B90-000-PT1
E26	30W	90	2700K	2982	99	VA6-E39-030-9-27-VH-AN-B90-000-PT1
E26	30W	90	3000K	3156	105	VA6-E39-030-9-30-VH-AN-B90-000-PT1
E26	30W	90	3500K	3296	110	VA6-E39-030-9-35-VH-AN-B90-000-PT1
E39	30W	90	4000K	3412	114	VA6-E39-030-9-40-VH-AN-B90-000-PT1
E39	30W	90	5000K	3412	114	VA6-E39-030-9-50-VH-AN-B90-000-PT1
E39	45W	80	2700K	5236	116	VA6-E39-045-8-27-VH-AN-B90-000-PT1
E39	45W	80	3000K	5543	123	VA6-E39-045-8-30-VH-AN-B90-000-PT1
E26	45W	80	3500K	5788	129	VA6-E39-045-8-35-VH-AN-B90-000-PT1
E26	45W	80	4000K	5992	133	VA6-E39-045-8-40-VH-AN-B90-000-PT1
E26	45W	80	5000K	5992	133	VA6-E39-045-8-50-VH-AN-B90-000-PT1
E26	45W	90	2700K	4313	96	VA6-E39-045-9-27-VH-AN-B90-000-PT1
E39	45W	90	3000K	4566	101	VA6-E39-045-9-30-VH-AN-B90-000-PT1
E39	45W	90	3500K	4768	106	VA6-E39-045-9-35-VH-AN-B90-000-PT1
E39	45W	90	4000K	4936	110	VA6-E39-045-9-40-VH-AN-B90-000-PT1
E39	45W	90	5000K	4936	110	VA6-E39-045-9-50-VH-AN-B90-000-PT1