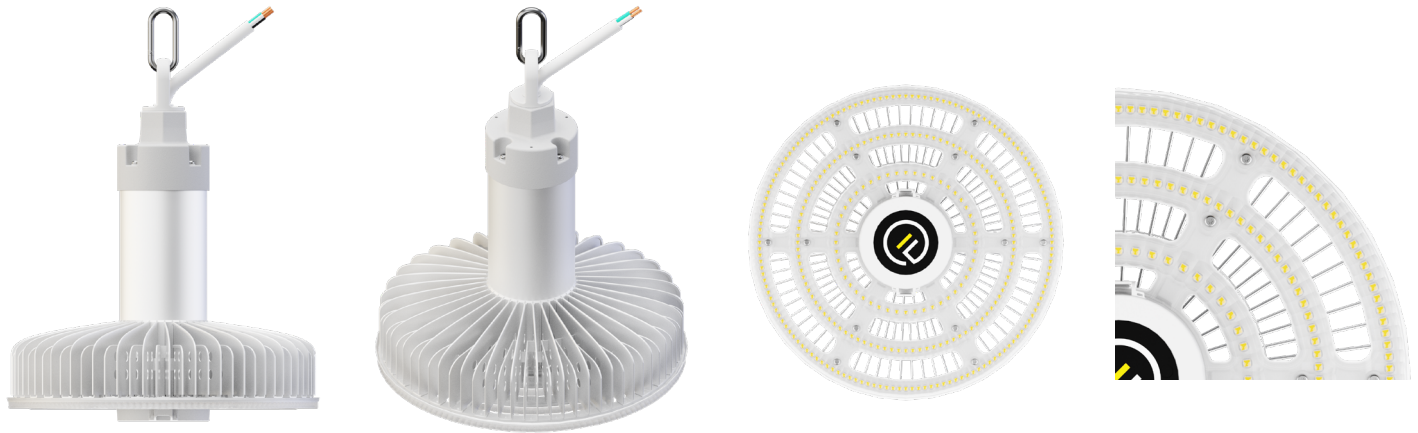


Date	Project	Part #
------	---------	--------



Features

- Up to 28,905 Lumens, 175 L/W @ 80 CRI
- Low Glare, UGR < 16
- 80 CRI Standard, High CRI optional
- Wireless and non-wireless control options
- Over-temperature protection
- Five Year or 50,000 Hour warranty²
- See Website for Installation Guide and IES File

Certifications

- UL/ULC, DLC Premium⁵
- IP52 / UL damp listed standard
- Integrated/embedded networked lighting control Luminaire-level Lighting Control (LLLC)



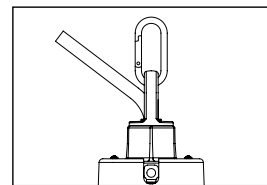
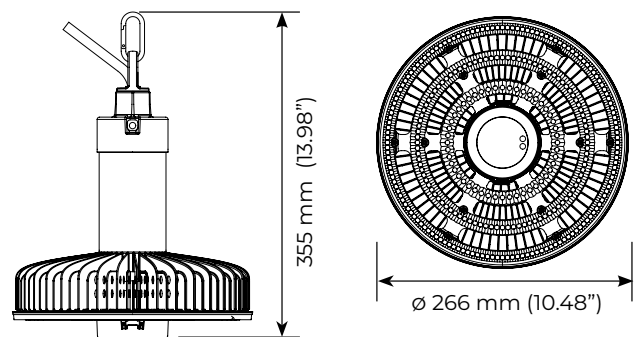
IP52

Control Options

- Wireless Options:
 - Synapse, Casambi, Avi-On
- Non-Wireless Options:
 - Occupancy & Daylight, Manual Power Set
- Dims to 10% then to off

Mechanical

- Vertical Orientation
- 4.76 lb / 2.16 kg
- 75 cm Safety Harness included



1. Unless otherwise specified, all values are typical at 25°C, 240VAC, CCT ±300K with ±10% tolerance
 2. [See limited warranty for details](#)
 3. Specifications subject to change without notice

4. Not intended for use in environments containing airborne corrosive agents such as chemicals, solvents, or cutting fluids
 5. DLC Premium Listed SSL - Not all product variations listed on this page are DLC qualified.

Date

Project

Part #

Photometry

- Integrated Patented Optic provides low glare
UGR < 16
- External reflector not required
- Diffusers and uplight accessories sold separately

Lumens (+Accessories)

CRI	Power	Accessory	Lumens @ CCT				
			2700K	3000K	3500K	4000K	5000K
80	165W	No	-	-	-	28,905	28,905
80	155W	No	-	-	-	27,230	27,230
80	145W	No	-	-	-	25,769	25,769
80	135W	No	-	-	-	24,285	24,285
80	165W	V10	-	-	-	28,297	28,297
80	155W	V10	-	-	-	26,694	26,694
80	145W	V10	-	-	-	25,680	25,680
80	135W	V10	-	-	-	23,845	23,845

Electrical

- VL: 100-277 VAC, 50-60Hz
- <1% Flicker
- PF > 0.9, THD<20%
- Surge: 6 kV (L-N), 10kV (L-G, N-G)

	Amps @ Line Voltage (VAC)					
	100V	110V	120V	220V	240V	277V
165W	1.65A	1.50A	1.38A	0.75A	0.69A	0.60A
155W	1.55A	1.41A	1.29A	0.70A	0.65A	0.56A
145W	1.45A	1.32A	1.21A	0.66A	0.60A	0.52A
135W	1.35A	1.23A	1.13A	0.61A	0.56A	0.49A

Date Project Part #

Applicable Regions

- USA, Canada



IP52

Summary

- Line Voltage 100-277VAC
- Certified to UL/ULC standard and DLC Premium
- IP52 / UL damp listed standard
- UGR < 16

Part # Key

- Not all combinations are valid or readily available - See ordering table for standard models
- Call for availability of custom features - MOQ may apply
- Example Part Number: V3M-FIX-165-8-40-VL-AN-B90-000-000-CO20-WH1-WIR1-FL

Series	Lamp Base	Power	CRI	CCT	Driver	Finish	Optics	Lamp Acc. (Field Install)	Control Module (Field Install)
V3M	288LEDs FIX	165 155 145 135 165W 155W 145W 135W	8 80 CRI	40 50 4000K 5000K	VL 100-277V	AN Anodized	B90 90° Beam	000 None (Base Model) V10 V-Cut Uplight 015 15% Uplight	000 None (Base Model) OC1 Occupancy & Daylight BLE Bluetooth (Avi-On) CSM Casambi SYN Synapse PR1 Manual Set Dim

Mounting/Plate	Mounting Color	Termination	Other
CO20 H020 Carabiner 2M Hook 2M	WH1 White	WIR1 3 Wire	FL IP52