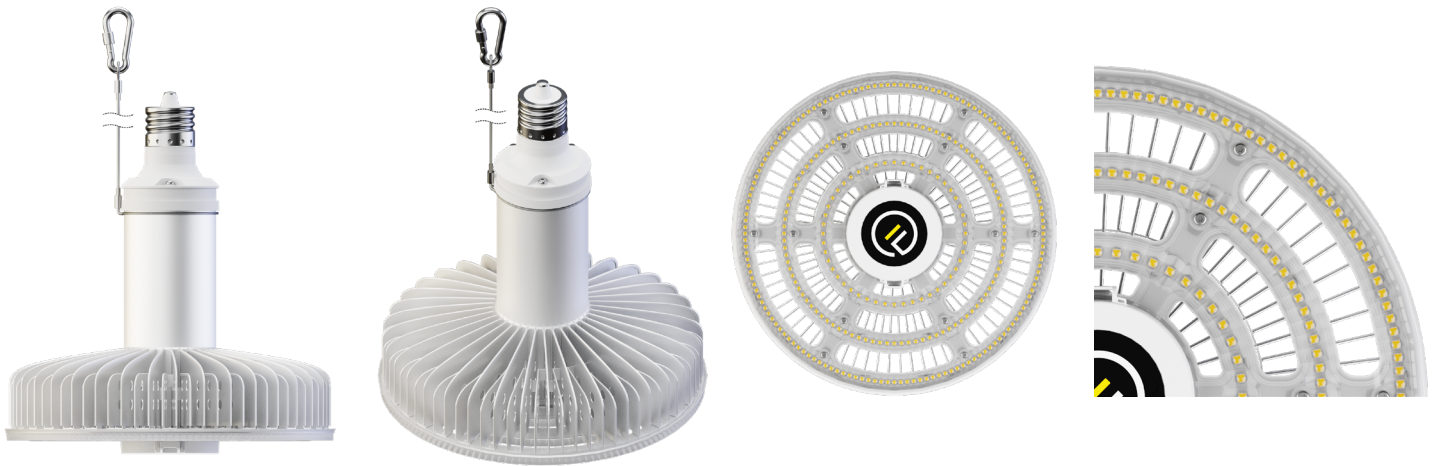


Date                      Project                      Part #



## Features

- Up to 28,905 Lumens, 175 L/W @ 80 CRI
- Certified for Magnetic HID Ballast & 100-277 VAC
- Low Glare, UGR<16
- 80 CRI Standard
- Over-temperature protection
- Five Year or 50,000 Hour warranty<sup>2</sup>
- See Website for installation Guide and IES File

## Certifications

- UL/cUL, DLC, CE/CB,
- See regional section for applicable certification
- IP52 Standard
- IP 65 Optional

CE      CB  
IP52    IP65

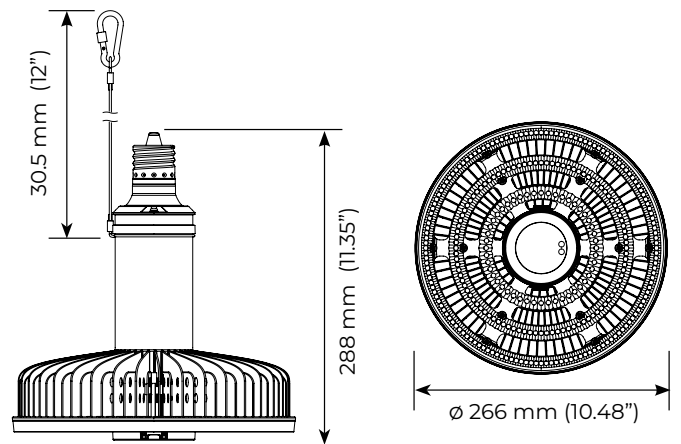


## Control Options

- Synapse
- Controls not compatible with ballast operation

## Mechanical

- Mogul Base
- Vertical Orientation
- 3.86 lb / 1.75 kg
- 30 cm Safety Harness included



1. Unless otherwise specified, all values are typical at 25°C, 240VAC, CCT ±300K with ±10% tolerance
2. [See limited warranty for details](#)
3. Specifications subject to change without notice
4. Not intended for use in environments containing airborne corrosive agents such as chemicals, solvents, or cutting fluids



Date Project Part #

### Applicable Regions

- Europe



### Summary

- Hybrid: Ballast Compatible & Line Voltage 100-277VAC
- Certified to UL
- IP52 and UL Listed for damp locations
- IP65 Optional
- Optical accessories are shipped separately and installed to the base lamp model by the user
  - Can be installed at the factory - Inquire for availability
- Non-quick ship items may be subject to longer lead times and MOQ
- Additional CCT / CRI / Power combinations may be available as a custom order - Inquire for availability

### Part # Key

- Not all combinations are valid or readily available - See ordering table for standard models
- Call for availability of custom features - MOQ may apply

Series		Lamp Base		Power		CRI		CCT		Driver		Finish		Optics		Accessory (Field Install)		Control Module (Field Install)		Other	
V3M	288LEDs	E40	E40	165	165W	8	80 CRI	40	4000K	VH	Hybrid	AN	Anodized	B90	90° Beam	000	None	000	None	FL	IP52
								50	5000K							V10	10% Uplight	SYN	Synapse	IP	IP65

### Ordering Table

- Additional combinations may be available - Inquire for availability

Description	Power	CRI	CCT	Lumen	L/W	Accessories	Controls	Part Number
Gen 3 E40, 165W, 80 CRI 4000K Hybrid	165	80	4000K	28,905	175	None	None	V3M-E40-165-8-40-VH-AN-B90-000-000-FL
Gen 3 E40, 165W, 80 CRI 4000K Hybrid, Uplight	165	80	4000K	28,523	175	V10 Uplight	None	V3M-E40-165-8-40-VH-AN-B90-V10-000-FL
Gen 3 E40, 165W, 80 CRI 4000K Hybrid, Uplight, Synapse	165	80	4000K	28,523	175	V10 Uplight	Synapse	V3M-E40-165-8-40-VH-AN-B90-V10-SYN-FL
Gen 3 E40, 165W, 80 CRI 5000K Hybrid	165	80	5000K	28,905	175	None	None	V3M-E40-165-8-50-VH-AN-B90-000-000-FL
Gen 3 E40, 165W, 80 CRI 5000K Hybrid, Uplight	165	80	5000K	28,523	175	V10 Uplight	None	V3M-E40-165-8-50-VH-AN-B90-V10-000-FL
Gen 3 E40, 165W, 80 CRI 5000K Hybrid, Uplight, Synapse	165	80	5000K	28,523	175	V10 Uplight	Synapse	V3M-E40-165-8-50-VH-AN-B90-V10-SYN-FL