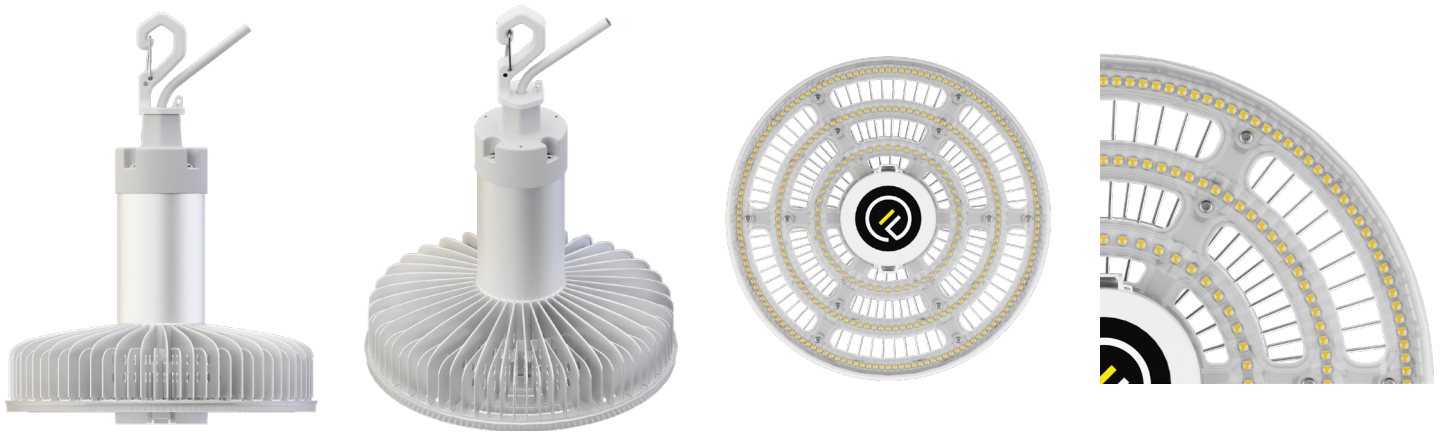


Date	Project	Part #
------	---------	--------



Features

- High Efficiency up to 158 L/W for selected 85 CRI models
- Low glare with UGR<18
- Wireless control options
- Over-temperature protection dims to guarantee reliability
 - 65°C/150°F full light output for 105W
 - 45°C/113°F full light output for 150/165W
- Five years or 50,000 hours warranty²
- See website for Installation Guide/IES files

World Wide Certifications

- KC for selected models
- IP65

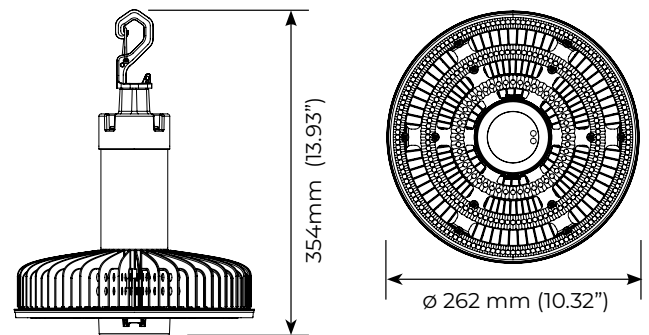


Control Options

- Control modules can be installed at the factory or in the field
- Options include: Synapse, Casambi, Avi-On, Occupancy & Daylight sensor, and Manual Dimming module
- Dims to 10% then to Off

Mechanical

- Fixture socket, vertical orientation only
- 1.65 kg / 3.6 lb
- Anodized solid aluminum body



1. Unless otherwise specified, all values are typical at 25°C, 240VAC
 2. [See limited warranty for details](#)
 3. Specifications subject to change without notice

4. Not intended for use in environments containing airborne corrosive agents such as chemicals, solvents, or cutting fluids

Date Project Part #

Photometry

- 50° glare cutoff with $UGR_{ave} < 18$
- Field-installed optical accessories without the need for tools (Options include uplights and diffusers)

Lumens (No Accessories)

CRI	Series	Power	Lumens @ CCT				
			3000K	3500K	4000K	5000K	6000K
85	V2L	105W	14,940	15,470	16,010	16,010	16,010
		150W	19,260	19,940	20,640	20,640	20,640
	V2M	165W	24,380	25,240	26,130	26,130	26,130

Lumens (With Uplight)

CRI	Series	Power	Lumens @ CCT				
			3000K	3500K	4000K	5000K	6000K
85	V2L	105W	14,462	14,975	15,498	15,498	15,498
		150W	18,644	19,302	19,980	19,980	19,980
	V2M	165W	23,600	24,432	25,294	25,294	25,294

Electrical

- VL: Line Voltage 100-277 VAC, 50-60 Hz
- < 1% flicker
- 6 kV surge protection, PF>0.9/THD<20%

	Amps @ Line Voltage (VAC)					
	100V	110V	120V	220V	240V	277V
105W	1.05A	0.95A	0.88A	0.48A	0.44A	0.38A
150W	1.50A	1.36A	1.25A	0.68A	0.63A	0.54A
165W	1.65A	1.50A	1.38A	0.75A	0.69A	0.60A

Part # Key

- Not all combinations are valid or readily available. See regional ordering table for standard models
- Call for availability of custom features. MOQ may apply
- Optical accessories and controls are shipped separately and installed to the base lamp model in the field by the user

Series	Region	Power	CRI	CCT	Driver	Finish	Optics	Accessory (Field Install)	Control Module (Field Install)	Other										
V2L V2M	144LEDs 288LEDs	FIX FEU	UL KC	105 150 165	105W 150W 165W	B	85 CRI	22 27 30 35 40 50 60	2200K 2700K 3000K 3500K 4000K 5000K 6000K	VL	100-277V	AN	Anodized	B90	90° Beam	000 015	None (Base Model) 15% Uplight	000 OC1 BLE CSM SYN PRI	None (Base Model) Occupancy & Daylight Bluetooth (Avi-On) Casambi Synapse Manual Set Dim	FL

Ordering Table

CRI	CCT	Power	Lumen	L/W	Control	Part Number	Quick Ship
85	3000K	105W	14,100	134	None	V2L-FEU-105-B-30-VL-AN-B90-000-000-FL	Y
85	6000K	105W	15,000	143	None	V2L-FEU-105-B-60-VL-AN-B90-000-000-FL	Y