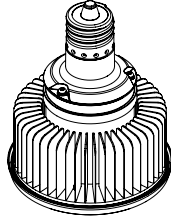
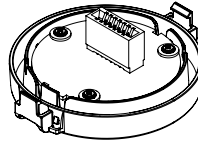


Provided Materials



VA6 Lamp

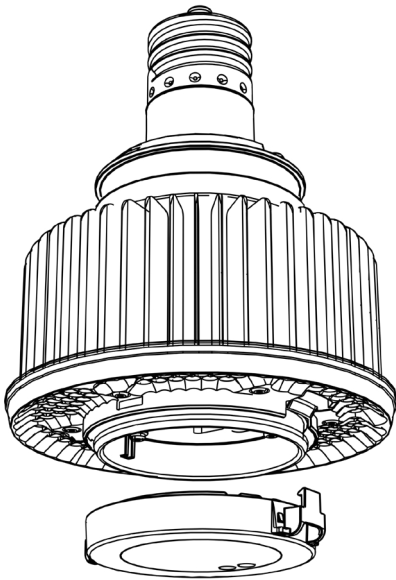


VA6 Cap

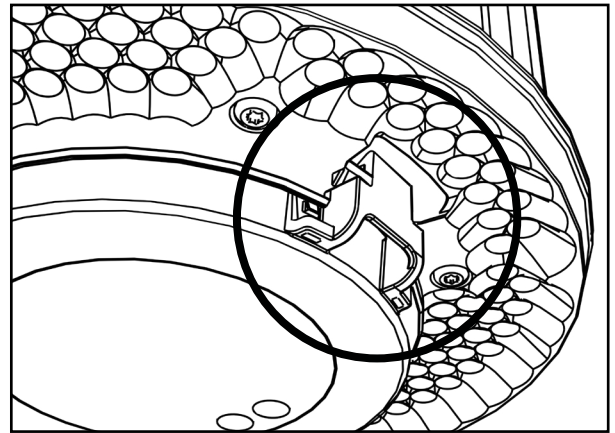
Installation Video: https://www.Filamento.com/INSV_CAP-A75-xxx-WH-xx-FL

Instructions

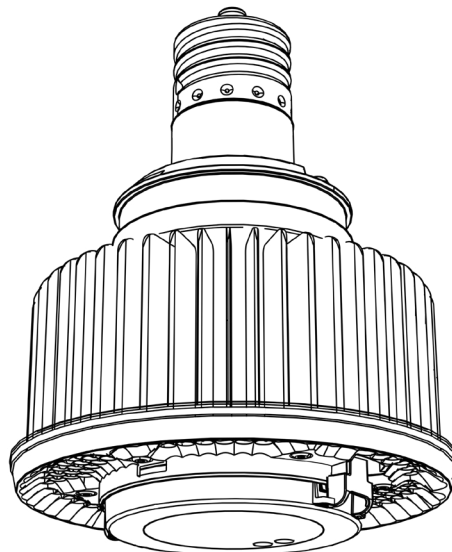
1. Align and place Cap on VA6 Lamp.



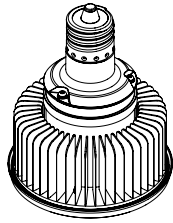
2. Push Cap until clips snap onto Lamp.



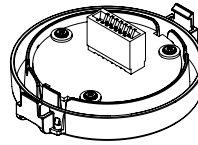
3. Installation complete!



[Installation Video](#)

Provided Materials

VA6 Lamp



VA6 Cap

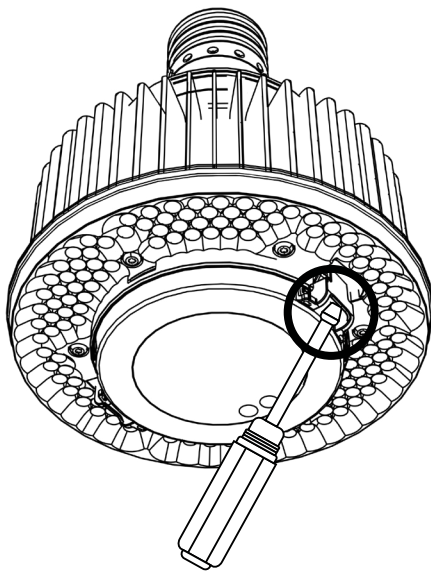


Screwdriver/Flathead

Installation Video: https://www.Filamento.com/INSV_CAP-A75-xxx-WH-xx-FL

Instructions

1. Use flathead screwdriver to remove Cap



2. Disassembly complete

