

Upto 7,000 Lumens, Low Glare, Ballast Compatible Option

Date Project Part #



MOGUL BASE
EX39, E40



MEDIUM BASE
E26, E27



Features

- Up to 7,000 Lumens, 156 L/W
- Certified for Magnetic HID Ballast & 100-277 VAC
- Integrated Patented Optic provides:
 - Low Glare UGR<18
 - 1.3x cd/lumen higher efficiency over no optic
- 80 CRI Standard, High CRI optional
- Wireless control options
- Temperature protection with full output:
 - T_{Ambient} = 65°C/150F for 30W
 - = 45°C/115F for 45W
- Socket extender option sold separately
- Enclosed fixture and IC rated for 30W
- Five Year or 50,000 Hour warranty²
- See Website for Installation Guide and IES File

World Wide Certifications

- UL/ULC, DLC, CE/CB, PSE, CCC, SAA
- See regional section for applicable certification
- IP52 / UL damp listed standard
- IP65 / UL wet optional⁶



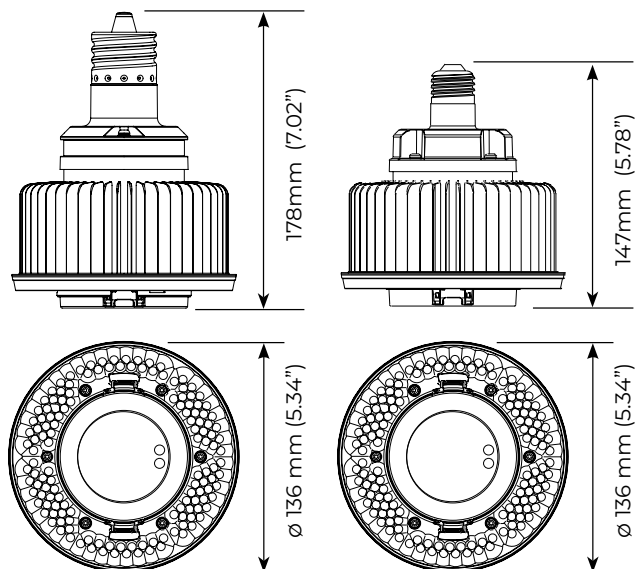
IP52 IP65 RoHS

Control Options

- Wireless Options:
 - Synpase, Casambi, Avi-On
- Non Wireless Options:
 - Occupancy & Daylight, Manual Power Set
- Dims to 10% then to off
- Controls not compatible with ballast operation

Mechanical

- Mogul or Medium Base
- Vertical Orientation
- 0.7kg / 1.52 lbs
- Socket extender available separately



1. Unless otherwise specified, all values are typical at 25°C, 240VAC, CCT +/-300K
 2. See [limited warranty for details](#)
 3. Specifications subject to change without notice

4. Not intended for use in environments containing airborne corrosive agents such as chemicals, solvents, or cutting fluids
 5. 80 CRI = 96 LED, 90 CRI = 144 LED
 6. Need fixture side matching IP65 lamp socket & construction

Date	Project	Part #
------	---------	--------

Photometry

- Integrated Patented Optic provides:
 - Low glare with 50o Glare Cutoff, UGR<18
 - 1.3x cd/lumen higher efficiency over no optic
 - External reflector not required
- Diffusers and upright accessories sold seperately

CRI	Power	Lumens @ CCT					
		2200K	2700K	3000K	3500K	4000K	5000K
80	30W	3791	4226	4474	4672	4836	4836
	45W	5483	6114	6471	6758	6996	6996
90	30W	3122	3481	3685	3848	3984	3984
	45W	4517	5036	5331	5567	5763	5763

Electical (VH & VL Drivers)

- VL: 100-277 VAC, 50-60Hz
- VH: Hybrid: Ballast Compatible & 100-277 VAC
- <1% Flicker
- PF > 0.9, THD<20%
- Surge: 6 kV (L-N)

	Amps @ Line Voltage (VAC)					
	100V	110V	120V	220V	240V	277V
30W	0.30A	0.27A	0.25A	0.14A	0.13A	0.11A
45W	0.45A	0.41A	0.38A	0.20A	0.19A	0.16A

HID Ballast Compatibility (VH Driver)

The Hybrid series is compatible with HID magnetic ballast between 45-250W. Such ballast types include probe start, pulse start, CWA, or reactive. The table below shows compatible ballast that have been tested. Input to ballast may be up to 480V. Optical distribution and lumen output are constant regardless of Ballast type or wattage. Ballast operation is not compatible with controls.

Type	HID Ballast Compatibility					
	45-70W	100W	150W	175W	200W	250W
Metal Halide	M98 M110 M143	M90	-	M57 M137 M152 MH175	-	M138 M153 MH250
HPS	NG50 NG70	NG100	NG150	-	S66	S50 NG250
MV	-	-	-	H175	-	-

SAA Australia: 100-277VAC and HID Ballast Compatible

Date	Project	Part #
------	---------	--------

Applicable Regions

- Australia



IP52 IP65

Summary

- Hybrid: Ballast Compatible & Line Voltage 100-277VAC
- Certified to SAA standard
- IP52 and UL Listed for damp locations
- IP65 and UL Listed for wet locations - special order
- Selected models also UL listed for enclosed fixtures
- Control modules and optical accessories are shipped separately and installed to the base lamp model by the user
 - Can be installed at the factory - Inquire for availability
- Non-quick ship items may be subject to longer lead times and MOQ
- Additional CCT / CRI / Power combinations may be available as a custom order - Inquire for availability

Part # Key

- Not all combinations are valid or readily available - See ordering table for standard models
- Call for availability of custom features - MOQ may apply

Series	Lamp Base		Power		CRI ⁵		CCT		Driver		Finish		Optics		Control Module (Field Install)		Optical Accessory (Field Install)		Other	
	E27	E40	030	30W	8	80 CRI	22	2200K	VH	Hybrid	AN	Anodized	B90	90° Beam	000	None (Base Model)	000	None (Base Model)	IP	IP52
VA6	E27	E40	045	45W	9	90 CRI	27	2700K							OC1	Occupancy & Daylight				IP65
							30	3000K							BLE	Bluetooth (Avi-On)				
							35	3500K												
							40	4000K												
							50	5000K												

Ordering Table

- Additional combinations may be available - Inquire for availability

Base	Power	CRI	CCT	Lumen	L/W	Part Number
E27	30W	80	2700K	4226	141	VA6-E27-030-8-27-VH-AN-B90-000-000
E27	30W	80	3000K	4474	149	VA6-E27-030-8-30-VH-AN-B90-000-000
E27	30W	80	3500K	4672	156	VA6-E27-030-8-35-VH-AN-B90-000-000
E27	30W	80	4000K	4836	161	VA6-E27-030-8-40-VH-AN-B90-000-000
E27	30W	80	5000K	4836	161	VA6-E27-030-8-50-VH-AN-B90-000-000
E27	30W	90	2700K	4226	141	VA6-E27-030-9-27-VH-AN-B90-000-000
E27	30W	90	3000K	4474	149	VA6-E27-030-9-30-VH-AN-B90-000-000
E27	30W	90	3500K	4672	156	VA6-E27-030-9-35-VH-AN-B90-000-000
E27	30W	90	4000K	4836	161	VA6-E27-030-9-40-VH-AN-B90-000-000
E27	30W	90	5000K	4836	161	VA6-E27-030-9-50-VH-AN-B90-000-000
E27	45W	80	2700K	6114	136	VA6-E27-045-8-27-VH-AN-B90-000-000
E27	45W	80	3000K	6471	144	VA6-E27-045-8-30-VH-AN-B90-000-000
E27	45W	80	3500K	6758	150	VA6-E27-045-8-35-VH-AN-B90-000-000
E27	45W	80	4000K	6996	155	VA6-E27-045-8-40-VH-AN-B90-000-000
E27	45W	80	5000K	6996	155	VA6-E27-045-8-50-VH-AN-B90-000-000

SAA Australia: 100-277VAC and HID Ballast Compatible

Date	Project	Part #
------	---------	--------

Ordering Table

· Additional combinations may be available - Inquire for availability

Base	Power	CRI	CCT	Lumen	L/W	Part Number
E27	45W	90	2700K	6114	136	VA6-E27-045-9-27-VH-AN-B90-000-000
E27	45W	90	3000K	6471	144	VA6-E27-045-9-30-VH-AN-B90-000-000
E27	45W	90	3500K	6758	150	VA6-E27-045-9-35-VH-AN-B90-000-000
E27	45W	90	4000K	6996	155	VA6-E27-045-9-40-VH-AN-B90-000-000
E27	45W	90	5000K	6996	155	VA6-E27-045-9-50-VH-AN-B90-000-000
E40	30W	80	2700K	3481	116	VA6-E40-030-8-27-VH-AN-B90-000-000
E40	30W	80	3000K	3685	123	VA6-E40-030-8-30-VH-AN-B90-000-000
E40	30W	80	3500K	3848	128	VA6-E40-030-8-35-VH-AN-B90-000-000
E40	30W	80	4000K	3984	133	VA6-E40-030-8-40-VH-AN-B90-000-000
E40	30W	80	5000K	3984	133	VA6-E40-030-8-50-VH-AN-B90-000-000
E40	30W	90	2700K	3481	116	VA6-E40-030-9-27-VH-AN-B90-000-000
E40	30W	90	3000K	3685	123	VA6-E40-030-9-30-VH-AN-B90-000-000
E40	30W	90	3500K	3848	128	VA6-E40-030-9-35-VH-AN-B90-000-000
E40	30W	90	4000K	3984	133	VA6-E40-030-9-40-VH-AN-B90-000-000
E40	30W	90	5000K	3984	133	VA6-E40-030-9-50-VH-AN-B90-000-000
E40	45W	80	2700K	5036	112	VA6-E40-045-8-27-VH-AN-B90-000-000
E40	45W	80	3000K	5331	118	VA6-E40-045-8-30-VH-AN-B90-000-000
E40	45W	80	3500K	5567	124	VA6-E40-045-8-35-VH-AN-B90-000-000
E40	45W	80	4000K	5763	128	VA6-E40-045-8-40-VH-AN-B90-000-000
E40	45W	80	5000K	5763	128	VA6-E40-045-8-50-VH-AN-B90-000-000
E40	45W	90	2700K	5036	112	VA6-E40-045-9-27-VH-AN-B90-000-000
E40	45W	90	3000K	5331	118	VA6-E40-045-9-30-VH-AN-B90-000-000
E40	45W	90	3500K	5567	124	VA6-E40-045-9-35-VH-AN-B90-000-000
E40	45W	90	4000K	5763	128	VA6-E40-045-9-40-VH-AN-B90-000-000
E40	45W	90	5000K	5763	128	VA6-E40-045-9-50-VH-AN-B90-000-000