

Applications

- High lumens (eg. 1000W HID Replacement)
- Direct HID retrofit
- Enclosed fixtures retrofit (eg. high mast)
- High temperature environment (eg. steel plants)
- High ceiling (eg. aircraft hangers)
- 135W and 280W coming in July 2026

Features

- Up to 47,537 Lumens @ 280W @ 80 CRI
- Compatible for all HID Ballast types 400-1000W
- Universal Voltage 120-480VAC
- Temperature
 - Upto $T_A = 70^\circ\text{C}$ @ 200W
 - $T_A = 40^\circ\text{C}$ enclosed fixture
- Low Glare, UGR<23
- 80 CRI Standard
- Five Year warranty²
- See Website for installation Guide and IES File

Certifications

- USA, Canada and Japan
- IP65
- ETL wet listed
- DLC

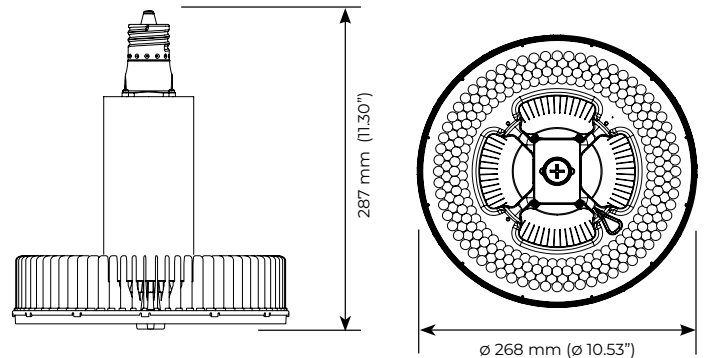


Control Options

- 3 pin connector for off the shelf control modules
- Controls not compatible with ballast operation
- Power settable using NFC Phone Application
- Dims to 10% then off

Mechanical

- Mogul Base
- Vertical Orientation
- 3.55 lb / 1.61 kg



1. Unless otherwise specified, all values are typical at 25°C, 277VAC, CCT ±300K with ±10% tolerance
2. [See limited warranty for details](#)
3. Specifications subject to change without notice
4. Not intended for use in environments containing airborne corrosive agents such as chemicals, solvents, or cutting fluids

Photometry

- UGR<23

Lumens

	Lumens @ CCT		L/W	Power	T _{Ambient} [Max]	
	4000K	5000K			Open	Enclosed
Standard Efficiency	47,537	47,537	170	280W	50°C	N/A
	41,576	41,576	174	240W	60°C	N/A
	35,456	35,456	177	200W	70°C	40°C
	25,000	25,000	185	135W	70°C	40°C

Electrical (VL Drivers)

- 120-480 VAC
- <1% Flicker
- PF > 0.9, THD<20%
- Surge: 6 kV (L-N)

	Amps @ Line Voltage (VAC)					
	120V	160V	240V	320V	400V	480V
135W	1.13A	0.85A	0.57A	0.43A	0.34A	0.29A
200W	1.67A	1.25A	0.83A	0.63A	0.5A	0.42A
240W	2.00A	1.50A	1.00A	0.75A	0.60A	0.50A
280W	2.33A	1.75A	1.17A	0.87A	0.7A	0.59A

Summary

- Line Voltage 120-480VAC
- IP65 & ETL wet listed
- Non-quick ship items may be subject to longer lead times and MOQ
- Additional CCT / CRI / Power combinations may be available as a custom order - Inquire for availability

Part # Key

- Not all combinations are valid or readily available - See ordering table for standard models
- Call for availability of custom features - MOQ may apply

Model

Series	Lamp Base		Power		CRI		CCT		Driver	Finish		Optics	
V4M	X39	EX39	135 200 240 280	135W 200W 240W 280W	8	80 CRI	40 50	4000K 5000K	VL 120-480V	WH	White	B90	90° Beam

Options

Accessory (Field Install)		Control Module (Field Install)		Other	
000	None	300	3 Pin Connector Ready for Control Module	ST	Standard