

## Applications

- High lumens (eg. 1000W HID Replacement)
- Direct HID retrofit
- Enclosed fixtures retrofit (eg. high mast)
- High temperature environment (eg. steel plants)
- High ceiling (eg. aircraft hangers)

## Features

- Up to 30,000 Lumens @ 180W @ 80 CRI
- Compatible for all HID Ballast types 250-400W
- Universal Voltage 120-480VAC
- Temperature  $T_A = 50^\circ\text{C}$
- Low Glare,  $UGR < 23$
- 80 CRI Standard
- Five Year warranty<sup>2</sup>
- See Website for installation Guide and IES File

## Certifications [Pending]

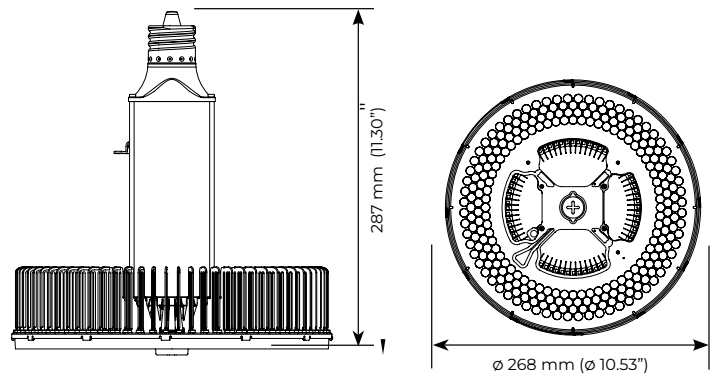
- IP65
- ETL wet listed
- See regional section for applicable certification

## Control Options

- 3 pin connector for off the shelf control modules
- Controls not compatible with ballast operation
- Power settable using NFC Phone Application

## Mechanical

- Mogul Base
- Vertical Orientation
- 3.55 lb / 1.61 kg



1. Unless otherwise specified, all values are typical at 25°C, 277VAC, CCT ±300K with ±10% tolerance
2. [See limited warranty for details](#)
3. Specifications subject to change without notice
4. Not intended for use in environments containing airborne corrosive agents such as chemicals, solvents, or cutting fluids

## Photometry

- UGR<23

## Lumens

	Lumens @ CCT		L/W	Power
	4000K	5000K		
<b>Standard Efficiency</b>	30,000	30,000	167	180W
	20,000	20,000	167	120W

## HID Ballast Compatibility (VH Driver)

The Hybrid series is compatible with HID magnetic ballast between 250-400W. Such ballast types include probe start, pulse start, CWA, or reactive. The table below shows compatible ballast that have been tested. Input to ballast may be up to 480V. Optical distribution and lumen output are constant regardless of Ballast type or wattage. Ballast operation is not compatible with controls.

Type	HID Ballast Compatibility		
	250W	320W	400W
<b>Metal Halide</b>	M138/M153	M132/M154	M135/M155 MH400
<b>HPS</b>	NG250	-	S51, NG400

## Electrical (VH & VL Drivers)

- VH: Hybrid: Ballast Compatible & 120-480 VAC
- <1% Flicker
- PF > 0.9, THD<20%
- Surge: 6 kV (L-N)

	Amps @ Line Voltage (VAC)					
	120V	160V	240V	320V	400V	480V
<b>120W</b>	1.00A	0.75A	0.50A	0.38A	0.30A	0.25A
<b>180W</b>	1.50A	1.13A	0.75A	0.56A	0.45A	0.38A

### Applicable Regions

- USA, Canada and Japan  
[Certification pending]

### Summary

- Hybrid: Ballast Compatible & Line Voltage 120-480VAC
- IP65 & ETL wet listed [pending]
- Non-quick ship items may be subject to longer lead times and MOQ
- Additional CCT / CRI / Power combinations may be available as a custom order - Inquire for availability

### Part # Key

- Not all combinations are valid or readily available - See ordering table for standard models
- Call for availability of custom features - MOQ may apply

Series	Lamp Base		Power		CRI		CCT		Driver		Finish		Optics		Accessory (Field Install)		Control Module (Field Install)		Other	
V4L	X39	EX39	120 180	120W 180W	8	80 CRI	40 50	4000K 5000K	VH	Hybrid	WH	White	B90	90° Beam	000	None	300	3 Pin Connector Ready for Control Module	ST	Standard