

Date	Project	Part #
------	---------	--------



Features

- Up to 28,905 Lumens, 175 L/W @ 80 CRI
- Low Glare
- 80 CRI Standard, High CRI optional
- Wireless control options or 0-10V dimming wires
- Over-temperature protection
- Five Year or 50,000 Hour warranty²
- See Website for Installation Guide and IES File

Certifications

- UL/ULC, RoHS/REACH
- IP52 / UL damp listed standard
- ** DLC Premium Listed SSL - Not all product variations listed on this page are DLC qualified. Visit <https://qpl.designlights.org> to confirm qualification



RoHS

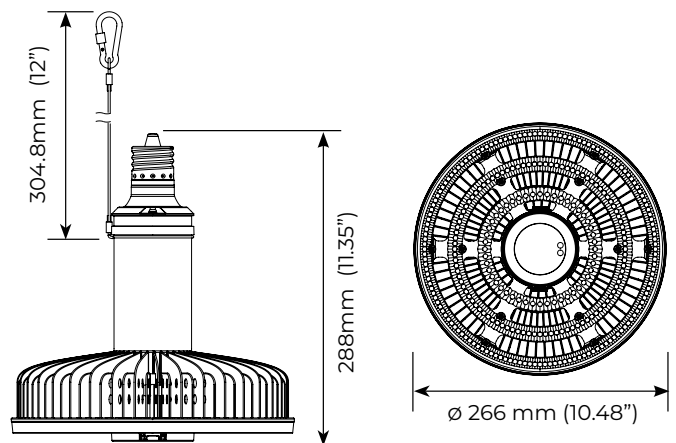
IP52

Control Options

- Wireless Options:
 - Synpase, Casambi, Avi-On
- Non Wireless Options:
 - Occupancy & Daylight, Manual Power Set
- Dims to 10% then to off
- Controls not compatible with ballast operation

Mechanical

- Mogul Base
- Vertical Orientation
- 3.86lb / 1.75kg
- 2m Safety Harness included



1. Unless otherwise specified, all values are typical at 25°C, 240VAC, CCT ±300K with ±10% tolerance
2. [See limited warranty for details](#)
3. Specifications subject to change without notice
4. Not intended for use in environments containing airborne corrosive agents such as chemicals, solvents, or cutting fluids
5. V3M has 288 LEDs
6. Need fixture side matching IP65 lamp socket & construction

Date	Project	Part #
------	---------	--------

Photometry

- Integrated Patented Optic provides low glare

Lumens (No Accessories)

CRI	Series	Power	Lumens @ CCT				
			2700K	3000K	3500K	4000K	5000K
80	V3M	165W	-	-	-	28,905	28,905
80	V3M	155W	-	-	-	27,230	27,230
80	V3M	145W	-	-	-	25,769	25,769

Electrical (VH & VL Drivers)

- VL: 100-277 VAC, 50-60Hz
- VH: Hybrid: Ballast Compatible & 100-277 VAC
- <1% Flicker
- PF > 0.9, THD<20%
- Surge: 6 kV (L-N)

	Amps @ Line Voltage (VAC)					
	100V	110V	120V	220V	240V	277V
165W	1.65A	1.50A	1.38A	0.75A	0.69A	0.60A
155W	1.55A	1.41A	1.29A	0.70A	0.65A	0.56A
145W	1.45A	1.32A	1.21A	0.66A	0.60A	0.52A

HID Ballast Compatibility (VH Driver)

The Hybrid series is compatible with HID magnetic ballast between 45-250W. Such ballast types include probe start, pulse start, CWA, or reactive. The table below shows compatible ballast that have been tested. Input to ballast may be up to 480V. Optical distribution and lumen output are constant regardless of Ballast type or wattage. Ballast operation is not compatible with controls.

Type	HID Ballast Compatibility						
	175W	200W	250W	320W	350W	400W	600W
Metal Halide	M57 M13/ M152 MH175	-	M138/ M153, MH250	M132/ M154	M131	M155/ M135 M59 MH400	-
HPS	-	S66	S50, NG250	-	-	S51, NG400	S106, NG600
MV	H175	-	-	-	-	-	-

FILAMENTO

DLC USA: 100-277VAC

Date Project Part #

Applicable Regions

- USA



IP52 RoHS

Summary

- Line Voltage 100-277VAC
- UL certified and DLC Standard Listed SSL qualified
- IP52 and UL Listed for damp locations
- Control modules and optical accessories are shipped separately and installed to the base lamp model by the user
 - Can be installed at the factory - Inquire for availability
- Non-quick ship items may be subject to longer lead times and MOQ
- Additional CCT / CRI / Power combinations may be available as a custom order - Inquire for availability

Part # Key

- Not all combinations are valid or readily available - See ordering table for standard models
- Call for availability of custom features - MOQ may apply

Series		Lamp Base		Power		CRI		CCT		Driver		Finish		Optics		Accessory (Field Install)		Control Module (Field Install)		Other	
V3M	288LEDs	X39	EX39	165 155 145	165W 155W 145W	8	80 CRI	40 50	4000K 5000K	VL	100-277V	AN	Anodized	B90	90° Beam	000 V10	None (Base Model) Uplight	000 OC1 BLE CSM SYN PRI	None (Base Model) Occupancy & Daylight Bluetooth (Avi-On) Casambi Synapse Manual Set Dim	FL	IP52

Ordering Table

- Additional combinations may be available - Inquire for availability

Power	CRI	CCT	Series	Lumen	L/W	Part Number
165W	80	4000K	V3M	28,905	175	V3M-X39-165-8-40-VL-AN-B90-000-000-FL
165W	80	5000K	V3M	28,905	175	V3M-X39-165-8-50-VL-AN-B90-000-000-FL
155W	80	4000K	V3M	27,230	176	V3M-X39-155-8-40-VL-AN-B90-000-000-FL
155W	80	5000K	V3M	27,230	176	V3M-X39-155-8-50-VL-AN-B90-000-000-FL
145W	80	4000K	V3M	25,769	178	V3M-X39-145-8-40-VL-AN-B90-000-000-FL
145W	80	5000K	V3M	25,769	178	V3M-X39-145-8-50-VL-AN-B90-000-000-FL