

Date Project Part #



Features

- Up to 28,905 Lumens, 175 L/W @ 80 CRI
- Certified for Magnetic HID Ballast & 100-277 VAC
- Low Glare, UGR<16
- 80 CRI Standard
- Over-temperature protection
- Five Year or 50,000 Hour warranty²
- See Website for installation Guide and IES File

Certifications

- UL/cUL, DLC, CE/CB
- See regional section for applicable certification
- IP52 Standard

CE CB IP52

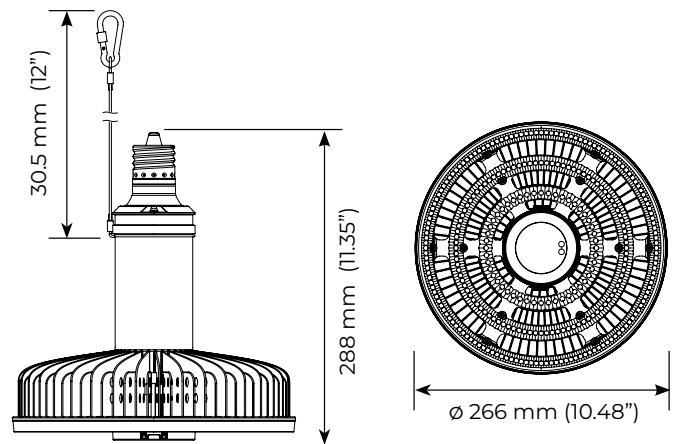


Control Options

- Synapse
- Controls not compatible with ballast operation

Mechanical

- Mogul Base
- Vertical Orientation
- 3.75 lb / 1.7 kg
- 30 cm Safety Harness included



1. Unless otherwise specified, all values are typical at 25°C, 240VAC, CCT ±300K with ±10% tolerance
2. [See limited warranty for details](#)
3. Specifications subject to change without notice
4. Not intended for use in environments containing airborne corrosive agents such as chemicals, solvents, or cutting fluids

Date

Project

Part #

Photometry

- Integrated Patented Optic provides low glare
- UGR<16
- Diffuser and upright accessories sold separately

Lumens

CRI	Series	Power	Accessories	Lumens @ CCT	
				4000K	5000K
80	V3M	165W	None	28,905	28,905
80	V3M	165W	V10 Uplight	28,523	28,523
80	V3M	165W	V10 Uplight + Reflector	28,296	28,296

Electrical (VH & VL Drivers)

- VH: Hybrid: Ballast Compatible & 100-277 VAC
- <1% Flicker
- PF > 0.9, THD<20%
- Surge: 6 kV (L-N)

	Amps @ Line Voltage (VAC)					
	100V	110V	120V	220V	240V	277V
165W	1.65A	1.50A	1.38A	0.75A	0.69A	0.60A

HID Ballast Compatibility (VH Driver)

The Hybrid series is compatible with HID magnetic ballast between 175-600W. Such ballast types include probe start, pulse start, CWA, or reactive. The table below shows compatible ballast that have been tested. Input to ballast may be up to 480V. Optical distribution and lumen output are constant regardless of Ballast type or wattage. Ballast operation is not compatible with controls.

Type	HID Ballast Compatibility						
	175W	200W	250W	320W	350W	400W	600W
Metal Halide	M57 M137/ M152 MH175	-	M138/ M153, MH250	M132/ M154	M131	M155/ M135 M59 MH400	-
HPS	-	S66	S50, NG250	-	-	S51, NG400	S106, NG600
MV	H175	-	-	-	-	-	-

Date

Project

Part #

Applicable Regions

- Europe

CE CB IP52



Summary

- Hybrid: Ballast Compatible & Line Voltage 100-277VAC
- Certified to UL
- IP52 and UL Listed for damp locations
- Optical accessories are shipped separately and installed to the base lamp model by the user
 - Can be installed at the factory - Inquire for availability
- Non-quick ship items may be subject to longer lead times and MOQ
- Additional CCT / CRI / Power combinations may be available as a custom order - Inquire for availability

Part # Key

- Not all combinations are valid or readily available - See ordering table for standard models
- Call for availability of custom features - MOQ may apply

Series		Lamp Base		Power		CRI		CCT		Driver		Finish		Optics		Accessory (Field Install)		Control Module (Field Install)		Other	
V3M	288LEDs	E40	E40	165	165W	8	80 CRI	40	4000K	VH	Hybrid	AN	Anodized	B90	90° Beam	000	None	000	None	FL	IP52
								50	5000K							V10	10% Uplight	SYN	Synapse		

Ordering Table

- Additional combinations may be available - Inquire for availability

Description	Power	CRI	CCT	Lumen	L/W	Accessories	Controls	Part Number
Gen 3 E40, 165W, 80 CRI 4000K Hybrid	165	80	4000K	28,905	175	None	None	V3M-E40-165-8-40-VH-AN-B90-000-000-FL
Gen 3 E40, 165W, 80 CRI 4000K Hybrid, Uplight	165	80	4000K	28,523	175	V10 Uplight	None	V3M-E40-165-8-40-VH-AN-B90-V10-000-FL
Gen 3 E40, 165W, 80 CRI 4000K Hybrid, Uplight, Synapse	165	80	4000K	28,523	175	V10 Uplight	Synapse	V3M-E40-165-8-40-VH-AN-B90-V10-SYN-FL
Gen 3 E40, 165W, 80 CRI 5000K Hybrid	165	80	5000K	28,905	175	None	None	V3M-E40-165-8-50-VH-AN-B90-000-000-FL
Gen 3 E40, 165W, 80 CRI 5000K Hybrid, Uplight	165	80	5000K	28,523	175	V10 Uplight	None	V3M-E40-165-8-50-VH-AN-B90-V10-000-FL
Gen 3 E40, 165W, 80 CRI 5000K Hybrid, Uplight, Synapse	165	80	5000K	28,523	175	V10 Uplight	Synapse	V3M-E40-165-8-50-VH-AN-B90-V10-SYN-FL