

Date Project Part #

Aluminum 12" Reflector + Hook (Hxxx) Base



Aluminum 12" Reflector + Pendant (Pxxx) Base



Aluminum 12" Reflector + Stem (Sxxx) Base



Aluminum 12" Reflector + Surface Mount (Jxxx) Base



## Features

- Up to 7,000 Lumens, 156 L/W
- Certified for Magnetic HID Ballast & 100-277 VAC
- Integrated Patented Optic provides:
  - Low Glare UGR<18
  - 1.3x cd/lumen higher efficiency over no optic
- 80 CRI Standard, High CRI optional
- Wireless control options
- Temperature protection with full output:
  - T<sub>Ambient</sub> = 65°C/150F for 30W
  - T<sub>Ambient</sub> = 45°C/115F for 45W
- Socket extender option sold separately
- Enclosed fixture and IC rated for 30W
- Five Year or 50,000 Hour warranty<sup>2</sup>
- See Website for Installation Guide and IES File

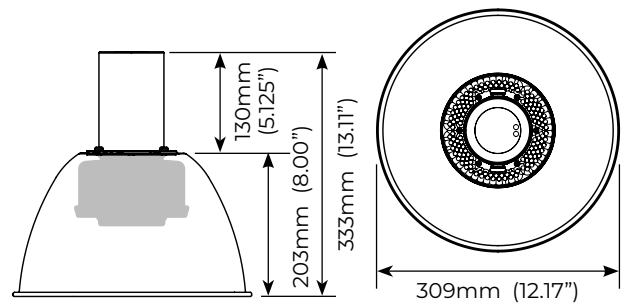
## Control Options

- Wireless Options:
  - Synpase, Casambi, Avi-On
- Non Wireless Options:
  - Occupancy & Daylight, Manual Power Set
- Dims to 10% then to off
- Controls not compatible with ballast operation

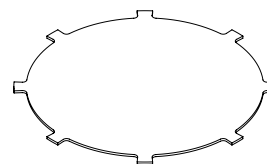
## World Wide Qualifications

- UL/ULC, CE/CB, PSE, CCC, SAA
- \*\* DLC Standard Listed SSL - Not all product variations listed on this page are DLC qualified. Visit <https://qpl.designlights.org> to confirm qualification
- IP52 / UL damp listed standard
- IP65 / UL wet optional

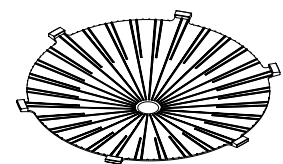
## Mechanical



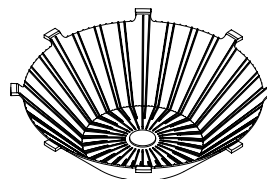
## Compatible Accessories



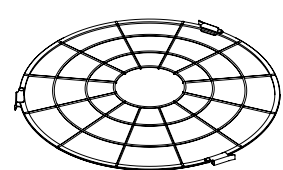
12" UGR Diffuser  
ACC-012-UGR-000-FL



12" Conical Lens  
ACC-012-CNL-000-FL



12" Drop Lens  
ACC-012-DRL-000-FL



12" Wireguard Black  
ACC-012-WBK-000-FL

1. Unless otherwise specified, all values are typical at 25°C, 240VAC  
 2. [See limited warranty for details](#)  
 3. Specifications subject to change without notice

4. Not intended for use in environments containing airborne corrosive agents such as chemicals, solvents, or cutting fluids  
 5. Inquire for availability for special orders

Date Project Part #

### Photometry

- 50° glare cutoff with  $UGR_{ave} < 18$
- Field-installed optical accessories without the need for tools (Optional uplights and diffusers)

White Interior RFL		Lumens @ CCT				
CRI	Power	2700K	3000K	3500K	4000K	5000K
80	30W	4087	4326	4518	4677	4677
	45W	5913	6258	6536	6766	6766
90	30W	3367	3564	3722	3853	3853
	45W	4870	5155	5384	5574	5574

Gold Interior RFL		Lumens @ CCT				
CRI	Power	2700K	3000K	3500K	4000K	5000K
80	30W	3953	4184	4369	4523	4523
	45W	5718	6052	6320	6543	6543
90	30W	3256	3446	3599	3726	3726
	45W	4710	4986	5206	5390	5390

### Electrical (VL Driver)

- VL: Line Voltage 100-277 VAC, 50-60 Hz
- < 1% flicker
- 6 kV surge protection, PF>0.9/THD<20%

	Amps @ Line Voltage (VAC)					
	100V	110V	120V	220V	240V	277V
30W	0.30A	0.27A	0.25A	0.14A	0.13A	0.11A
45W	0.45A	0.41A	0.38A	0.20A	0.19A	0.16A

### Part # Key (Part A + Part B)

- Not all combinations are valid or readily available
- Call for availability of custom features - MOQ may apply
- Optical accessories and controls may be shipped separately and installed to the base lamp model in the field by the user - Inquire at time of order

#### PART A: TRANSCENDENT

Series		Reflector		Exterior/Interior Color		Mounting/ Cord Length		Mounting Color		Termination		Reflector Accessory (Field Install)	
TU	UL cert.	AB12	Aluminum 12"	GR2WH2	Gray/White	H020	Hook 2M	000	None	Wire	Bare Wire	000	None
TC	CE cert.			BK2GD2	Black/Gold	H050	Hook 5M	WH1	White	N515	NEMA 5-15	UGR	UGR Diffuser
				BK2WH2	Black/White	P020	Pendant 2M	BK1	Black	1430	NEMA 14-30	DRL	Drop Lens
						S020	Stem 2M			C716	CEE 7/16	CNL	Conical Lens
						J000	Surface Mount			CONN	Connector	WBK	Wire guard Black
										JP01	PSE Bare Wire		

#### PART B: LAMP [\(Link to spec sheet\)](#)

Series	Lamp Base		Power		CRI		CCT		Driver		Finish		Optics		Control Module (Field Install)		Accessory (Field Install)	
VA6	X39	EX39	30	30W	8	80 CRI	22	2200K	VL	100-277V	AN	Anodized	B90	90° Beam	000	None (Base Model)	000	None (Base Model)
	E40	E40	45	45W	9	90 CRI	27	2700K	VH	Hybrid					OC1	Occupancy & Daylight	015	15% Uplight
							30	3000K							BLE	Bluetooth (Avi-On)		
							35	3500K							CSM	Casambi		
							40	4000K							SYN	Synapse		
							50	5000K							PRI	Manual Set Dim		