

| Date | Project | Part # |
|------|---------|--------|
|------|---------|--------|



Applications

- Residential roads, collector roads, multi-lane freeways, express ways, major roads, and general area spaces

Features

- 10-Year Limited Warranty²
- High Efficiency 155L/W typical
- L90 > 108,000 Hours, L95 > 50,000 Hours
- Extreme Climate Performance (-40°C to 50°C)
- IP66 protection from Rain
- Durability with IK09 impact resistance
- 20kV Surge Protection
- Constant lumen level across CCT

World Wide Certifications



- UL & DLC Pending

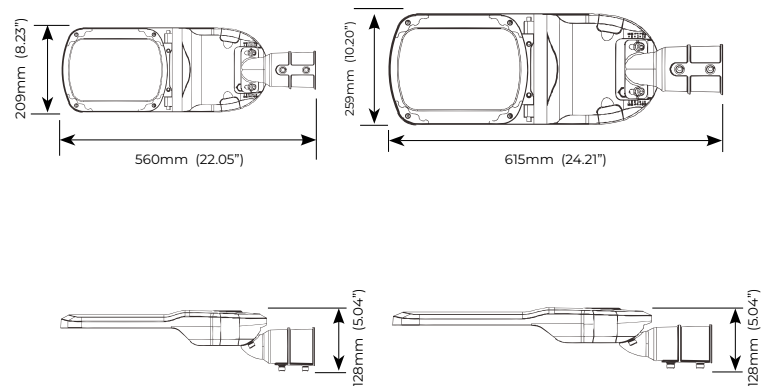
Control Options

- NEMA 7 Pin Receptacle Standard
- LoRa and 4G Wireless Smart Module Options

Mechanical & Accessories

Small (3.7 kg/ 8.2 lb)

Medium (5.8 kg/ 12.8 lb)



Lumen Maintenance

- L90 > 108,000
- L95 > 50,000

Date

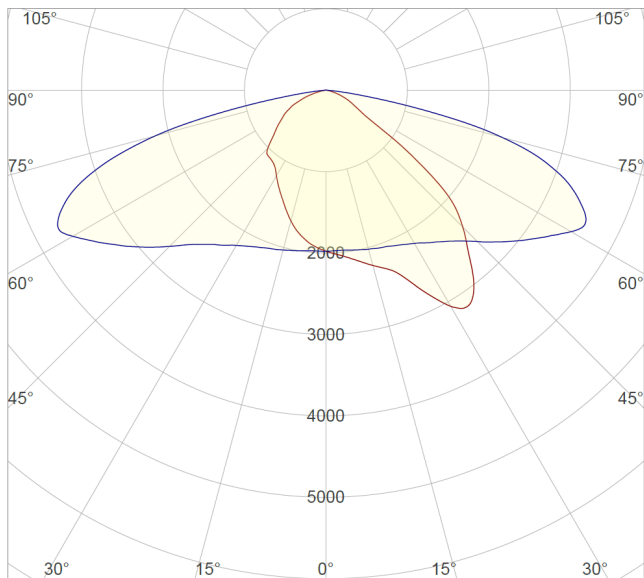
Project

Part #

Photometry

- Type II Short
- B1-U0-G1 (< 5700 lumens)
- B2-U0-G2 (> 5700 lumens)

- Polar light distribution diagram 8749 lumens



cd
— C0-C180
— C90-C270

$\eta = 100.0\%$

Electrical

- VL: 120-277 VAC, 50-60Hz
- <1% Flicker
- PF > 0.9, THD < 20%
- Surge: 20kV (L-G, N-G)

1. Unless otherwise specified, all values are typical at 25°C 277VAC $\pm 10\%$ tolerance
2. [See limited warranty for details](#)
3. Specifications subject to change without notice

4. Not intended for use in environments containing airborne corrosive agents such as chemicals, solvents, or cutting fluids

Date

Project

Part #

Part # Key

- Not all combinations are valid or readily available - See ordering table for standard models
- Call for availability of custom features - MOQ may apply

| Series | | Region | | Nominal Lumens | | CRI | | CCT | | Optics | | Driver | | Finish | | Optical Accessory | | Control Module | |
|--------|------------------|--------|---------------|--|--|-----|--------|----------------------------|---|--------|--------------------------------|--------|----|--------|-----|-------------------|-----|-----------------------|--|
| HS1 | Cobra Head Small | FIX | North America | 018 024 032 044 059 080 | 1800 2420 3260 4400 5940 8020 | 7 | 70 CRI | 27 30 40 50 60 | 2700K 3000K 4000K 5000K 6000K | 2SH | TYPE II - Short VL 120-277V | | GR | Grey | 000 | None | NM7 | NEMA 7-pin receptacle | |

| Mounting | | Future Field | | Other | |
|----------|------------------|--------------|-----|-------|--|
| HT00 | Horizontal Tenon | 000 | N/A | FL | |

Part Numbers

| Product Code | Part Number | Type | BUG | CCT | CRI | Lumen | Power (W) | L/W | Housing Size |
|--------------|--|------|----------|------|-----|-------|-----------|-------|--------------|
| 14089 | HS1-FIX-018-7-27-2SH-VL-GR-000-NM7-HT00-000-FL | II-S | B1-U0-G1 | 2700 | 70 | 1880 | 12.8 | 146.9 | Small |
| 14090 | HS1-FIX-024-7-27-2SH-VL-GR-000-NM7-HT00-000-FL | II-S | B1-U0-G1 | 2700 | 70 | 2570 | 16.2 | 158.6 | Small |
| 14091 | HS1-FIX-032-7-27-2SH-VL-GR-000-NM7-HT00-000-FL | II-S | B1-U0-G1 | 2700 | 70 | 3509 | 21.5 | 163.2 | Small |
| 14092 | HS1-FIX-044-7-27-2SH-VL-GR-000-NM7-HT00-000-FL | II-S | B1-U0-G1 | 2700 | 70 | 4553 | 28.5 | 159.8 | Small |
| 14093 | HS1-FIX-059-7-27-2SH-VL-GR-000-NM7-HT00-000-FL | II-S | B2-U0-G2 | 2700 | 70 | 6546 | 41.3 | 158.5 | Small |
| 14094 | HS1-FIX-080-7-27-2SH-VL-GR-000-NM7-HT00-000-FL | II-S | B2-U0-G2 | 2700 | 70 | 8034 | 53.8 | 149.3 | Small |
| 14095 | HS1-FIX-018-7-30-2SH-VL-GR-000-NM7-HT00-000-FL | II-S | B1-U0-G1 | 3000 | 70 | 1987 | 13.2 | 150.5 | Small |
| 14096 | HS1-FIX-024-7-30-2SH-VL-GR-000-NM7-HT00-000-FL | II-S | B1-U0-G1 | 3000 | 70 | 2546 | 16.9 | 150.7 | Small |
| 14097 | HS1-FIX-032-7-30-2SH-VL-GR-000-NM7-HT00-000-FL | II-S | B1-U0-G1 | 3000 | 70 | 3651 | 22.8 | 160.1 | Small |
| 14098 | HS1-FIX-044-7-30-2SH-VL-GR-000-NM7-HT00-000-FL | II-S | B1-U0-G1 | 3000 | 70 | 4862 | 30.8 | 157.9 | Small |
| 14099 | HS1-FIX-059-7-30-2SH-VL-GR-000-NM7-HT00-000-FL | II-S | B2-U0-G2 | 3000 | 70 | 6622 | 41.6 | 159.2 | Small |
| 14100 | HS1-FIX-080-7-30-2SH-VL-GR-000-NM7-HT00-000-FL | II-S | B2-U0-G2 | 3000 | 70 | 8148 | 52.4 | 155.5 | Small |
| 14101 | HS1-FIX-018-7-40-2SH-VL-GR-000-NM7-HT00-000-FL | II-S | B1-U0-G1 | 4000 | 70 | 1882 | 12.6 | 149.4 | Small |
| 14102 | HS1-FIX-024-7-40-2SH-VL-GR-000-NM7-HT00-000-FL | II-S | B1-U0-G1 | 4000 | 70 | 2563 | 16.4 | 156.3 | Small |
| 14103 | HS1-FIX-032-7-40-2SH-VL-GR-000-NM7-HT00-000-FL | II-S | B1-U0-G1 | 4000 | 70 | 3390 | 21.3 | 159.2 | Small |
| 14104 | HS1-FIX-044-7-40-2SH-VL-GR-000-NM7-HT00-000-FL | II-S | B1-U0-G1 | 4000 | 70 | 4447 | 27.5 | 161.7 | Small |
| 14105 | HS1-FIX-059-7-40-2SH-VL-GR-000-NM7-HT00-000-FL | II-S | B2-U0-G1 | 4000 | 70 | 6740 | 41.3 | 163.2 | Small |
| 14106 | HS1-FIX-080-7-40-2SH-VL-GR-000-NM7-HT00-000-FL | II-S | B2-U0-G2 | 4000 | 70 | 8342 | 53.0 | 157.4 | Small |