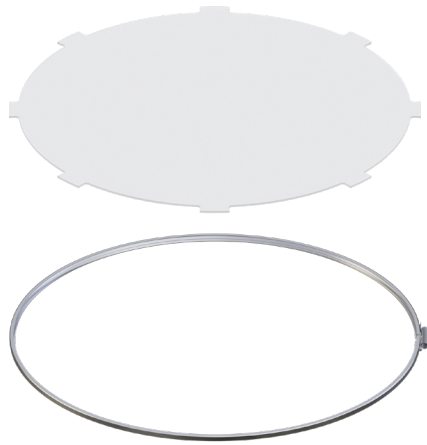


22"/56cm Reflector Accessory

Date Project Part #

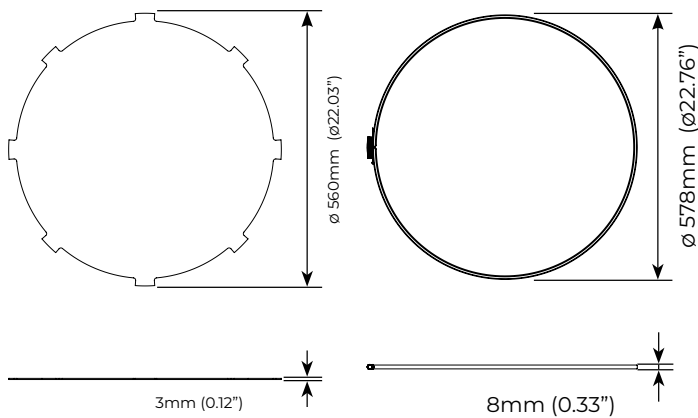


22" Reflector + 22" UGR Diffuser
(Reflector not included)

Features

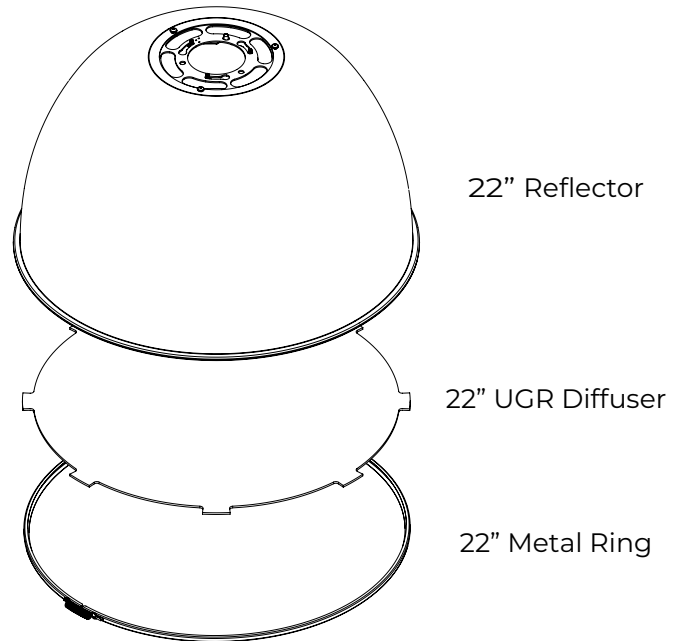
- Widens base luminaire distribution
- Hides the LEDs from view
- Quick and easy installation – simply snap into reflector with supplied metal ring
- See website for Installation Guide/IES files

Mechanical



Compatible Products

- Aluminum Bell 22" Reflector
- Prismatic 22" Reflector



Ordering Information

Description	Part Code	Part Number	Quick Ship
22" UGR Diffuser	03661	ACC-022-UGR-000-FL	Yes

1. Unless otherwise specified, all values are typical at 25°C, 240VAC
 2. [See limited warranty for details](#)
 3. Specifications subject to change without notice

4. Not intended for use in environments containing airborne corrosive agents such as chemicals, solvents, or cutting fluids