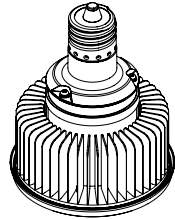


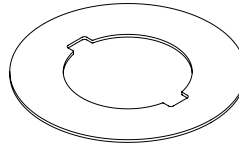
FILAMENTO 5" UGR Diffuser Accessory to VA6 Lamp

Assembly Installation Instructions

Provided Materials



VA6 Lamp



5" UGR Diffuser

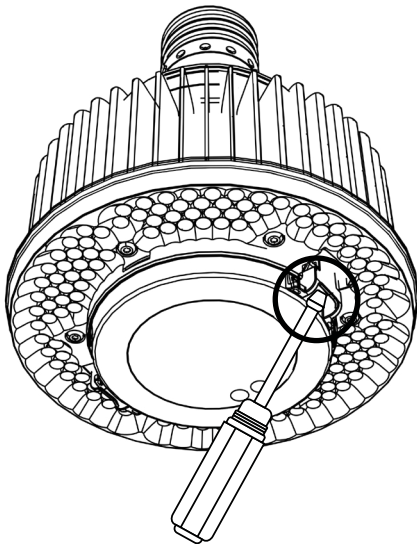


Screwdriver/Flathead

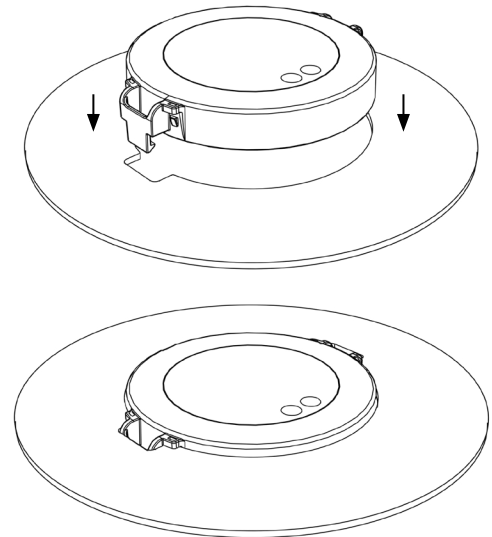
Installation Video: https://www.Filamento.com/INSV_ACC-005-UGR-000-FL

Instructions

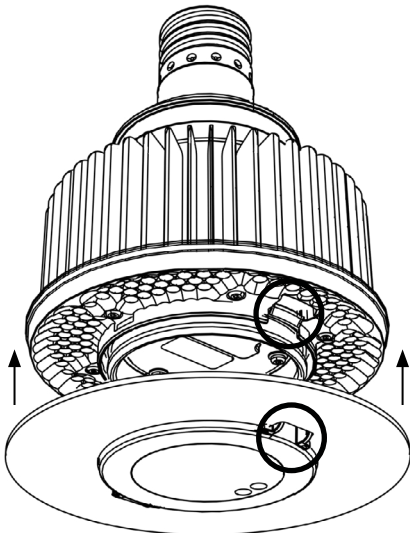
1. Use flathead screwdriver and push out cap clips to remove lamp's cap.



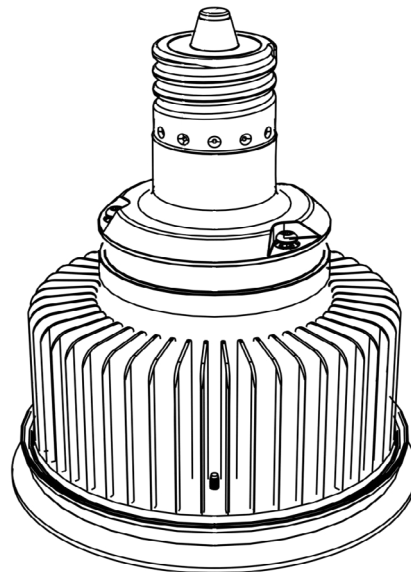
2. With rough side of diffuser facing towards the top of the cap, place cap on top of diffuser and click together.



3. Place diffuser-attached cap back on VA6 Lamp and push until two cap clips click with lamp.



4. Installation Complete!



[Installation Video](#)