

Applications

- High lumens (eg. 1000W HID Replacement)
- Ballast Compatible or Direct HID retrofit
- Enclosed fixtures retrofit (eg. high mast)
- High temperature environment (eg. steel plants)
- High ceiling (eg. aircraft hangers)

Features

- Up to 47,537 Lumens @ 280W @ 80 CRI
- Compatible for all HID Ballast types 400-1000W
- Universal Voltage 120-480VAC
- Temperature
 - Upto $T_A = 70^\circ\text{C}$ @ 200W
 - $T_A = 40^\circ\text{C}$ enclosed fixture
- Low Glare, UGR<23
- 80 CRI Standard
- Five Year warranty²
- See Website for installation Guide and IES File

Certifications

- USA, Canada and Japan
- IP65
- ETL wet listed

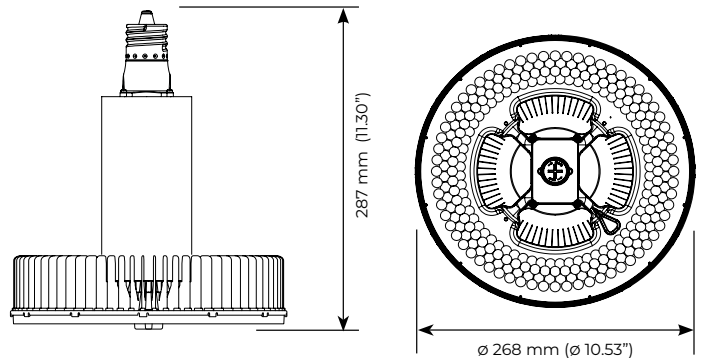


Control Options

- 3 pin connector for off the shelf control modules
- Controls not compatible with ballast operation
- Power settable using NFC Phone Application
- Dims to 10% then off

Mechanical

- Mogul Base
- Vertical Orientation
- 3.55 lb / 1.61 kg



1. Unless otherwise specified, all values are typical at 25°C, 277VAC, CCT $\pm 300\text{K}$ with $\pm 10\%$ tolerance
2. [See limited warranty for details](#)
3. Specifications subject to change without notice
4. Not intended for use in environments containing airborne corrosive agents such as chemicals, solvents, or cutting fluids

North America

Up to 47,537 Lumens, $T_A = 70^\circ\text{C}$, Ballast Compatible and Bypass, 120-480 VAC

Date

Project

Part #

Photometry

- UGR<23

Lumens

	Power	L/W	Lumens @ CCT		T _{Ambient} [Max]	
			4000K	5000K	Open	Enclosed
			Standard Efficiency	280W	170	47,537
240W	174	41,576		41,576	60°C	N/A
200W	177	35,456		35,456	70°C	40°C
135W	185	25,000		25,000	70°C	40°C

Electrical (VH & VL Drivers)

- VH: Hybrid: Ballast Compatible & 120-480 VAC
- <1% Flicker
- PF > 0.9, THD<20%
- Surge: 6 kV (L-N)

	Amps @ Line Voltage (VAC)					
	120V	160V	240V	320V	400V	480V
135W	1.13A	0.85A	0.57A	0.43A	0.34A	0.29A
200W	1.67A	1.25A	0.83A	0.63A	0.5A	0.42A
240W	2.00A	1.50A	1.00A	0.75A	0.60A	0.50A
280W	2.33A	1.75A	1.17A	0.87A	0.7A	0.59A

HID Ballast Compatibility (VH Driver)

The Hybrid series is compatible with HID magnetic ballast between 400-1000W. Such ballast types include probe start, pulse start, CWA, or reactive. The table below shows compatible ballast that have been tested. Input to ballast may be up to 480V. Optical distribution and lumen output are constant regardless of Ballast type or wattage. Ballast operation is not compatible with controls.

Type	HID Ballast Compatibility			
	400W	600W	750W	1000W
Metal Halide	M135/M155 MH400	-	M149	M141, M47
HPS	S51, NG400	S106, NG600		NG1000, S52

Summary

- Hybrid: Ballast Compatible & Line Voltage 120-480VAC
- IP65 & ETL wet listed
- Non-quick ship items may be subject to longer lead times and MOQ
- Additional CCT / CRI / Power combinations may be available as a custom order - Inquire for availability

Part # Key

- Not all combinations are valid or readily available - See ordering table for standard models
- Call for availability of custom features - MOQ may apply

Series	Lamp Base		Power		CRI		CCT		Driver		Finish		Optics		Accessory (Field Install)		Control Module (Field Install)		Other	
V4M	X39	EX39	135 200 240 280	135W 200W 240W 280W	8	80 CRI	40 50	4000K 5000K	VH	Hybrid	WH	White	B90	90° Beam	000	None	300	3 Pin Connector Ready for Control Module	ST	Standard