

## Applications

- High lumens (eg. 1000W HID Replacement)
- Direct HID retrofit
- Enclosed fixtures retrofit (eg. high mast)
- High temperature environment (eg. steel plants)
- High ceiling (eg. aircraft hangers)

## Features

- Up to 41,576 Lumens @ 240W @ 80 CRI
- Universal Voltage 120-480VAC
- Temperature
  - Upto  $T_A = 70^\circ\text{C}$  @ 200W
  - $T_A = 40^\circ\text{C}$  enclosed fixture
- Low Glare, UGR<23
- 80 CRI Standard
- Five Year warranty<sup>2</sup>
- See Website for installation Guide and IES File
- <1% Flicker

## Certifications

- USA, Canada and Japan
- IP65
- ETL wet listed
- DLC

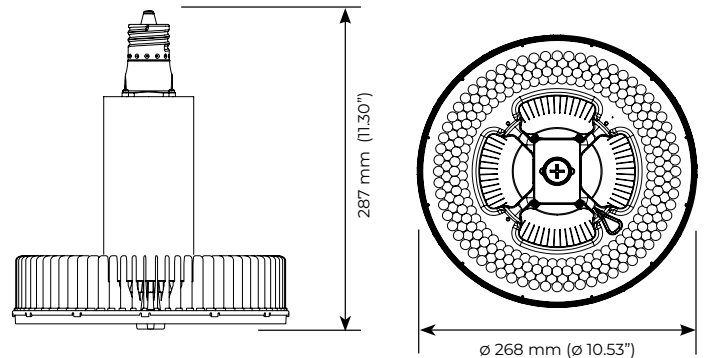


## Control Options

- 3 pin connector for off the shelf control modules
- Controls not compatible with ballast operation
- Power settable using NFC Phone Application
- Dims to 10% then off

## Mechanical

- Mogul Base
- Vertical Orientation
- 3.55 lb / 1.61 kg



1. Unless otherwise specified, all values are typical at 25°C, 277VAC, CCT  $\pm 300\text{K}$  with  $\pm 10\%$  tolerance
2. [See limited warranty for details](#)
3. Specifications subject to change without notice
4. Not intended for use in environments containing airborne corrosive agents such as chemicals, solvents, or cutting fluids

## Photometry

- UGR<23

## Lumens

	Power	L/W	Lumens @ CCT		T <sub>Ambient</sub> [Max]	
			4000K	5000K	Open	Enclosed
<b>Standard Efficiency</b>	240W	174	41,576	41,576	60°C	N/A
	200W	177	35,456	35,456	70°C	40°C

## Electrical (VL Drivers)

- 120-480 VAC
- <1% Flicker
- PF > 0.9, THD<20%
- Surge: 6 kV (L-N)

	Amps @ Line Voltage (VAC)					
	120V	160V	240V	320V	400V	480V
<b>200W</b>	1.67A	1.25A	0.83A	0.63A	0.5A	0.42A
<b>240W</b>	2.00A	1.50A	1.00A	0.75A	0.60A	0.50A

## Summary

- Line Voltage 120-480VAC
- IP65 & ETL wet listed
- Non-quick ship items may be subject to longer lead times and MOQ
- Additional CCT / CRI / Power combinations may be available as a custom order - Inquire for availability

## Part # Key

- Not all combinations are valid or readily available - See ordering table for standard models
- Call for availability of custom features - MOQ may apply

Series	Lamp Base		Power		CRI		CCT		Driver		Finish		Optics		Accessory (Field Install)		Control Module (Field Install)		Other	
V4M	X39	EX39	200 240	200W 240W	8	80 CRI	40 50	4000K 5000K	VL	120-480V	WH	White	B90	90° Beam	000	None	300	3 Pin Connector Ready for Control Module	ST	Standard