

Project	Type
Product Code	Date

## VALTO Uplight Accessory

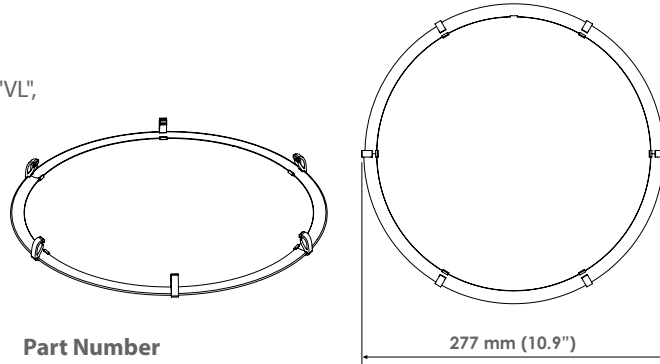
- Easy, snap-on design
- Compatible with all VALTO 400 and 600 products including "VL", "VH" and "Luminaire" series
- Compatible with all power levels and CCT

### Mechanical

- 0.35 oz (10 grams)

### Ordering Information

Description	Product Code	Part Number
Optical Accessory 12" 15% Uplight	03000	ACC-12-UA15-001



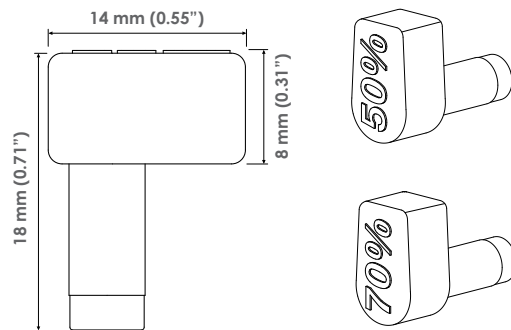
[Web Link](#)

## Power Adjuster

The power adjuster plugs into the modular connector in front cap and provides a fixed power adjustment of 70% or 50%. For example plugging the power adjuster the VALTO 600 dims the unit from 150W to 105W.

### Ordering Information

Description	Product Code	Part Number
DC Power Adjuster 50%	03023	PA50
DC Power Adjuster 70%	03024	PA70



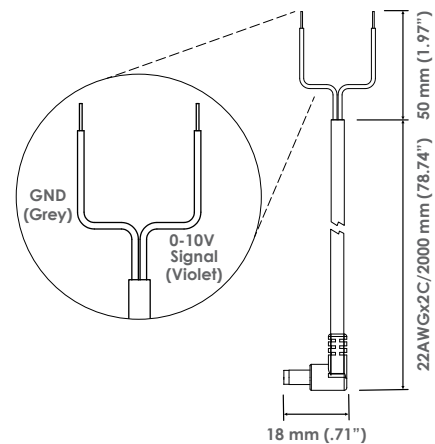
[Web Link](#)

## 2 Meter DC Dimmer Cable

The cable connects the modular connector on the front cap to a 0-10V control signal.

### Ordering Information

Description	Product Code	Part Number
0-10V Dimming Cable 2 Meter	3008	CAB-US-010V-000



[Web Link](#)

## IR Remote Control

IR remote control is designed to work with Occupancy Daylight sensor. Requires two AA battery.

Description	Product Code	Part #
Remote Control for Occupancy Sensor	03002	IRR-XX-001-000



[Web Link](#)