

Project	Type
Product Code	Date

VALTO LS 400E/600: E40

Europe/Asia/Australia

Summary

- Hybrid design allows for operation with line voltage 100-277 VAC and HID magnetic ballast
- Five years or 50,000 hours warranty³

150W Version - Open or Vented Fixture

- 20,000 Lumens, 130 L/W
- Ambient air operation to 50°C/122°F at full power

105W Version - Enclosed or IC Fixture

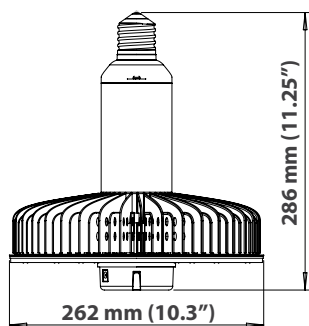
- 15,000 Lumens, 143 L/W
- Ambient air operation at full output power:
 - 45°C/122°F for enclosed or IC fixture
 - 65°C/149°F for vented fixture or open

Control Options

- 0-10V (dim to off at 0V)
- RF occupancy and daylight sensor option
- Bluetooth option

Mechanical

- E40 socket compatible
- Vertical orientation only
- Beautiful anodized solid aluminum body
- 1.65 kg/3.6 lb
- Fanless for high reliability and efficiency
- Safety harness optional



Photometry

- No external reflector needed thus no reflector loss factor
- 50° glare cutoff with $UGR_{ave} < 15$
- Optical distribution with high uniformity $E_{Min/Avg} > 0.75$ SC=0.5 to 1.5

Electrical - Type A

- 90-305 VAC 50/60 Hz input voltage max
- No flicker/6 kV surge protection
- No inrush current
- PF>0.9/THD<20%

VAC	100	110	120	220	240	277
AMPS	1.5	1.36	1.25	0.68	0.63	0.54

Ballast Compatibility - Type B

VL series is compatible with HID magnetic ballast between 175-600W. Such ballast types include probe start, pulse start, CWA or reactive. The table below shows compatible ballast that have been tested.

	175W	200W	250W	320W	350W	400W	600W
Metal Halide	M57, M137, M152, MH175		M138, M153, MH250	M132, M154	M131	M155, M135, M59, MH400	
HPS		S66	S50, NG250			S51, NG400	S106, NG600
MV	H175						

Certifications



PERFORMANCE

CCT	CRI 80			
	3000K	3500K	4000K	5000K
Lumens @ 105W	12500	15000	15000	15000
Lumens @ 150W	16950	20000	20000	20000



[Web Link](#)

Ordering Information

Example Part Number: VAL-E40-150-8-40-VL-AN-B90-010-000

Line	Mount	Input Wattage	CRI	CCT	Beam Angle	Controls	Custom
VAL	E40				VL-AN		000
	E40 = E40 Base	105 = 105 Watt 150 = 150 Watt	8 = 80	30 = 3000K 35 = 3500K 40 = 4000K 50 = 5000K	B90 90°	010 = 0-10v OC1 = Occupancy CSM = Casambi	000 Standard

* Only for 3000K, 3500K, & 4000K

- Unless otherwise specified, all values are typical at 25°C with no optical accessory.
- 65°C for open or vented fixture, 45°C in total enclosed for Enclosed or IC Fixture
- See limited warranty for details.

- Not intended for use in wet environments or environments containing airborne corrosive agents such as chemicals, solvents or cutting fluids.
- Specifications subject to change without notice