

# VALTO Hybrid Light Source

## North America

Project	Type
Product Code	Date

### Summary

- Only product UL listed for BOTH hybrid operation with line voltage 100-277 VAC AND HID magnetic ballast
- Five years or 50,000 hours warranty<sup>3</sup>

### 150W Version – UL Listed for Open or Vented Fixture

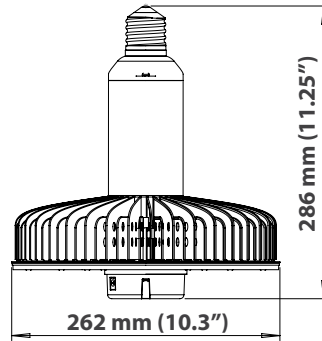
- 20,000 lumens, 130 L/W
- Ambient air operation to 50°C/122°F at full power

### 105W Version – UL Listed for Enclosed or IC Fixture

- 15,000 lumens, 143 L/W
- Ambient air operation at full output power:
  - 45°C/122°F for enclosed or IC fixture
  - 65°C/149°F for vented fixture or open

### Mechanical

- E39, E39X socket compatible
- Vertical orientation only
- Beautiful anodized solid aluminum body
- 1.65 kg/3.6 lb
- Fanless for high reliability and efficiency
- Safety harness optional



### Photometry

- No external reflector needed, thus no reflector loss factor
- 50° glare cutoff with  $UGR_{ave} < 15$
- Optical distribution enable high uniformity with  $E_{Min/Avg} > 0.75$   $SC=0.5$  to 1.5
- Compatible with upright accessory

### Electrical – Type A

- 90-305 VAC 50/60 Hz input voltage max
- No flicker/6 kV surge protection/no inrush current
- PF>0.9/THD<20%

VAC	100	110	120	220	240	277
AMPs	1.5	1.36	1.25	0.68	0.63	0.54

### Ballast Compatibility – Type B

VL Series is compatible with HID magnetic ballast between 175-600W. Such ballast types include probe start, pulse start, CWA or reactive. The table below show compatible ballast that have been tested.

	175W	200W	250W	320W	350W	400W	600W
Metal Halide	M57, M137/ M152, MH175	-	M138/ M153, MH250	M132/ M154	M131	M155/M135, M59, MH400	-
HPS	-	S66	S50, NG250	-	-	S51, NG400	S106, NG600
MV	H175	-	-	-	-	-	-

### Certifications

- UL damp listed for 120-277VAC and for UL 1598C for ballast bypass



RoHS



[Web Link](#)

### Ordering Information

Controls	Fixture Compatibility	Max. Envir. Temp.	Product Code	Part #	Watts	Lumens	CCT
None*	Open or Vented	50°C	03104	VAL-E39-150-8-40-VH-AN-B90-010-000	150	20,000	4,000K
			03112	VAL-E39-150-8-50-VH-AN-B90-010-000	150	20,000	5,000K
	Open or Vented/ IC or Enclosed	65°C/ 45°C <sup>1</sup>	03100	VAL-E39-105-8-40-VH-AN-B90-010-000	105	15,000	4,000K
			03108	VAL-E39-105-8-50-VH-AN-B90-010-000	105	15,000	5,000K

\* Ballast operation not compatible with controls

1. Unless otherwise specified, all values are typical at 25°C with no optical accessory.  
 2. 65°C for open or vented fixture, 45°C in total enclosed for Enclosed or IC Fixture  
 3. See limited warranty for details.

4. Not intended for use in wet environments or environments containing airborne corrosive agents such as chemicals, solvents or cutting fluids.  
 5. Specifications subject to change without notice