

Project	Type
Product Code	Date

# VALTO Hybrid 250: E26

## North America/Japan

### Summary

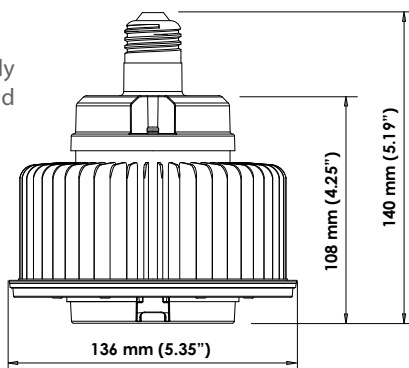
- 45W, 7,000 lumens, 155 L/W, CRI > 80
- UL listed for BOTH Type A and Type B operation
- Open fixture or vented rated
- Integral optics with no glare and 35% more lumens on target
- Five years or 50,000 hours warranty<sup>3</sup>
- No fan

### UL Listed for Open Vented Fixture

- Ambient air outside of fixture at full output power:
  - 40°C/149°F for vented fixture or open air
- Above these ambient temperatures, the electronic driver will proportionally dim down the light to reduce heat and maintain temperature to an acceptable level.

### Mechanical

- E26 socket
- Vertical orientation only
- Beautiful anodized solid aluminum body
- 0.60 kg/1.32 lb
- Fanless for high reliability



### Certifications

- UL damp listed, UL 1598C for ballast bypass
- UL enclosed fixture rated
- Energy Star in process

### Photometry

- Integral optic eliminates need for reflector, thus no reflector loss
- 50° glare cutoff with  $UGR_{ave} < 15$
- Optical distribution with high uniformity  $E_{Min/Avg} > 0.75$  SC=0.5 to 1.5

### Ballast Compatibility - Type A

VH series is compatible with HID magnetic ballast between 25-250W. Such ballast types include probe start, pulse start, CWA or reactive. The table below shows compatible ballast. Ballast operation not compatible with controls.

	50-70W	100W	150W	175W	200W	250W
<b>Metal Halide</b>	-	M90	-	M57 M137 M152 MH175	-	M138 M153 MH250
<b>HPS</b>	NG50 NG70	NG100	NG150	-	S66	S50 NG250
<b>MV</b>	-	-	-	H175	-	-

### Line Voltage - Type B

- 100-277 VAC nominal, 90/305 VAC Max, 50/60 Hz
- 6 kV surge protection
- PF>0.9/THD<20%

VAC	100	110	120	220	240	277
<b>AMPs</b>	0.45	0.41	0.38	0.20	0.19	0.16



RoHS



### Ordering Information

Controls	Enclosed/IC Vented/Open Fixture Compatibility	Max. Temperature at Full Output Power (Free Air/Open Fixture)	Product Code	Part #	Watts	Lumens	CCT
None	No	40°C / 105F	03756	VA6-E26-45-8-35-VH-AN-B90-000-000	45	6,800	3,500K
			03760	VA6-E26-45-8-40-VH-AN-B90-000-000	45	7,000	4,000K
			03764	VA6-E26-45-8-50-VH-AN-B90-000-000	45	7,000	5,000K



[Web Link](#)

1. Unless otherwise specified, all values are typical at 25°C with no optical accessory.  
 2. See limited warranty for details.  
 3. Specifications subject to change without notice.

4. Not intended for use in wet environments or environments containing airborne corrosive agents such as chemicals, solvents or cutting fluids.  
 5. Max temperature is environmental temperature outside of fixture.