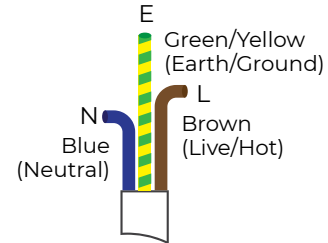


## EUROPE / ASIA / AUSTRALIA

Applies to CE certified luminaires

Cable Wire Color



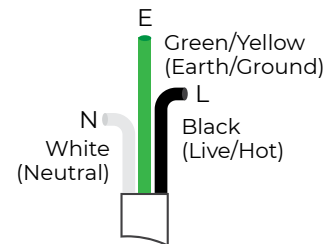
## CERTIFICATIONS



## NORTH AMERICA / JAPAN / KOREA / MEXICO

Applies to UL certified luminaires

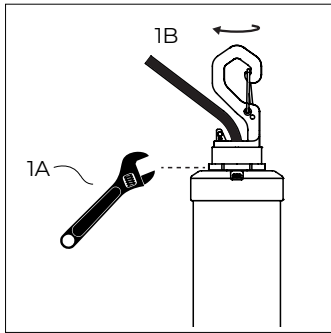
Cable Wire Color



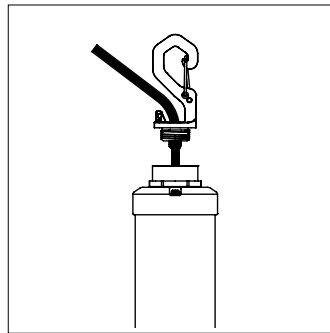
## CERTIFICATIONS



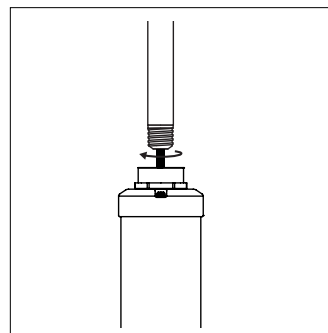
### 3/4" NPT MOUNT



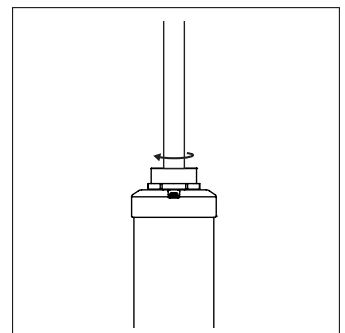
1A. With a crescent wrench lock down rotation of hook base nut



2. Remove hook while keeping wires from twisting



3. Install 3/4" pipe or conduit



4. Tighten lock nut

1B. Hook will unscrew from hook base nut

**WARNING -** DISCONNECT OR TURN OFF POWER BEFORE INSTALLATION OR SERVICING.

**WARNING -** VERIFY THAT SUPPLY VOLTAGE IS CORRECT BY COMPARING IT WITH THE LUMINAIRE LABEL.

**WARNING -** THE LUMINAIRE SHALL BE INSTALLED BY A QUALIFIED ELECTRICIAN AND WIRED IN ACCORDANCE WITH THE LATEST IEE OR NEMA ELECTRICAL REGULATIONS OR THE NATIONAL REQUIREMENTS.

**WARNING -** MAKE ALL ELECTRICAL AND GROUNDED CONNECTIONS IN ACCORDANCE WITH ANY APPLICABLE LOCAL CODE REQUIREMENTS.

**WARNING -** ALL WIRING CONNECTIONS SHOULD BE CAPPED WITH APPROVED RECOGNIZED WIRE CONNECTORS.

**WARNING -** ALLOW LAMP/FIXTURE TO COOL BEFORE HANDLING. DO NOT TOUCH ENCLOSURE OR LIGHT SOURCE.

**WARNING -** FOLLOW ALL MANUFACTURER'S WARNINGS, RECOMMENDATIONS AND RESTRICTIONS FOR: DRIVER