

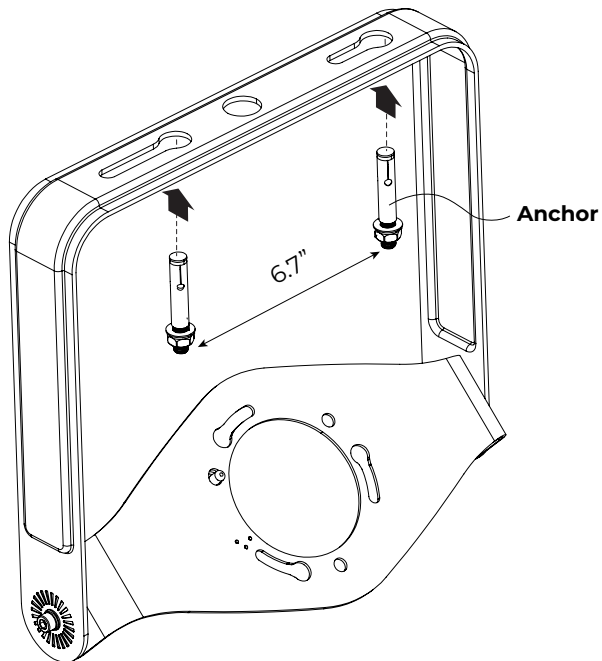
INSTALLATION INSTRUCTION

Wall Mount

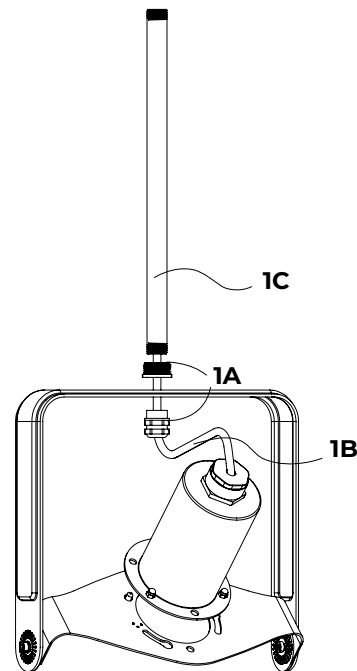
or

Stem Mount

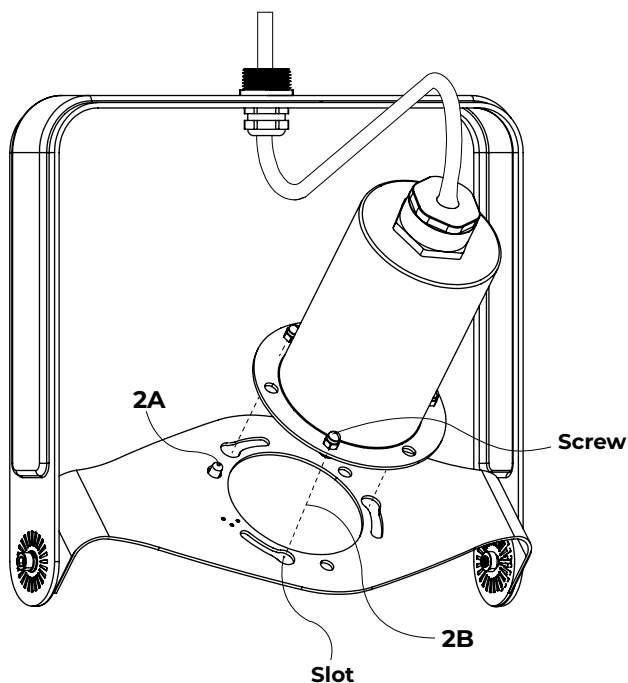
1. Drill two holes using a No.14 drill ($\varnothing 0.53"$), 2.4" deep and install anchors onto the wall or ceiling



- 1A. Install feed-through onto Yoke
- 1B. Pull cable through the feed-through and tighten it onto the Yoke
- 1C. Install stem on the feed-through. Feed-through is compatible with 1/2" & 3/4" stem



- 2A. Ensure Spring pin faces outwards to Valto Base
- 2B. Align shoulder screws to the 3 slots on Yoke and push down onto Yoke



- 3A. Rotate Valto Base until spring pin locks the rotation
- 3B. Lock the rotation of Yoke by tightening the bolt with 3/16" allen wrench
- 3C. Install lamp

